



UP 2.5

230 V AC

-
-
-
- 2
- 2
- 2
-
-
-
-
-
-
-
-
-

ISO 5211

IP 66 / 68

344.	X	-	X	X	X	X	X	X	/	X	X
------	---	---	---	---	---	---	---	---	---	---	---

/		o	e	10)	↓
3.1			-25°C ... +55°C	C3	1
B2	+		-25°C ... +55°C	C4	2
2			-50°C ... +40°C	C3	3
2			-25°C ... +55°C	C3	6
1	-		-50°C ... +40°C	C4	7
2			-60°C ... +40°C	C3	8

				↓
50 Hz		230 V AC	Z404t	0
		220 V AC	L	
		3x400 V AC	Z78t	1
		3x400 V AC -	Z303m	2
		3x380 V AC	Z78t	M
		3x380 V AC -	Z303m	N
60 Hz ²⁴⁾		110 V AC	Z404t	B
		120 V AC		T
		240 V AC		V
50 Hz	21)	230 V AC	ZK404t	5
		220 V AC		P
		3x400 V AC	ZK78t	7
		3x400 V AC -	ZK303m	6
		3x380 V AC	ZK78t	R
		3x380 V AC -	ZK303m	S
60 Hz ²⁴⁾		110V AC	ZK404t	D
		120 V AC		Z
		240 V AC		W

230 / 220 / 120 / 110 V AC			3x400 / 380 V AC					↓
31)	32)	33)	32)	33)		50 Hz	60 Hz	
	«	»						
-	-	-	1100 - 1800 Nm	1080 Nm	-	160 s/90°	135 s/90°	U
-	-	-	1000 - 1600 Nm	960 Nm	-	80 s/90°	66 s/90°	B
-	-	-	900 - 1400 Nm	840 Nm	-	40 s/90°	34 s/90°	G
800 - 1200 Nm	720 Nm	-	800 - 1200 Nm	720 Nm	480 Nm	160 s/90°	135 s/90°	C
400 - 600 Nm	360 Nm	240 Nm				80 s/90°	66 s/90°	D
-	-	-				40 s/90°	34 s/90°	E
-	-	-				20 s/90°	17 s/90°	H
250 - 400 Nm	240 Nm	160 Nm	400 - 600 Nm	360 Nm	240 Nm	20 s/90°	17 s/90°	F
500 - 800 Nm	480 Nm	320 Nm	500 - 800 Nm	480 Nm	320 Nm	160 s/90°	135 s/90°	L
-	-	-				80 s/90°	66 s/90°	N
-	-	-				40 s/90°	34 s/90°	P
300 - 500 Nm	300 Nm	200 Nm	300 - 500 Nm	300 Nm	200 Nm	160 s/90°	135 s/90°	M
-	-	-				80 s/90°	66 s/90°	O
-	-	-				40 s/90°	34 s/90°	R

10) ISO 9223/EN ISO 12944-2.
 11) IP 68 - 10 / 96
 21) -40°
 24) 60
 80 %.
 31)
 32) S2-10 min a S4-25% 90 /
 33) S4-25% , 90 - 1200 /
 35%
 51) Not valid for temperature -60 °C.
 52) CPT - capacitive transmitter, DCPT 3M - contactless transmitter.
 40 °

Objednávací kód \Order code 344. x - x x x x x / x x

e				
	S1/S2, S3/S4 DUO S5/S6	60°	Z403r/ZK403r	A
		90°		B
		120°		C
		160°		D
	S1/S2, S3/S4 DUO S5/S6	60°	Z575f/Z575f	K
		90°		L
		120°		M
		160°		N
				P
		360°		

		-	-	-	A
		-	1 x 100 W	Z5c / ZK5c	B
		-	1 x 2 000 W		F
		-	2 x 100 W	Z6c / ZK6c	K
		-	2 x 2 000 W		P
R/I ⁵¹⁾	2-		4 - 20 mA	Z10g / ZK10g	S
			0 - 20 mA		T
			4 - 20 mA		V
	3-		0 - 5 mA	Z257j/ZK257j	Y
			4 - 20 mA		Q
			0 - 20 mA		U
3-		4 - 20 mA	Z260h / ZK260h	W	
		0 - 5 mA		Z	
		0 - 10 V		D	
R/U ⁵¹⁾	3-		0 - 10 V	Z257k / ZK257k	R
			0 - 10 V		R
CPT ⁵¹⁾⁵²⁾	2-		4 - 20 mA	Z10g / ZK10g	I
			4 - 20 mA		J
DCPT 3M ⁵¹⁾⁵²⁾	2-		4 - 20 mA	Z10g / ZK10g	2
			4 - 20 mA		3

ISO 5211	F14 (F10) ⁶⁰⁾	D-36	36x36	P-2112 P-2114 ⁶⁵⁾	A	
		L-36			B	
		H-36			C	
		V-48	Ø48 ⁶²⁾		D	
		D-27	27x27		E	
		L-27			F	
		H-27	27x48 ⁶²⁾		G	
		V-42	Ø42 ⁶²⁾		H	
		D-22	22x22		P	
		L-22			Q	
		V-50	Ø50 ⁶²⁾		M	
		V-60	Ø60 ⁶³⁾		V	
		-	Ø10 ⁶⁴⁾		W	
		H-22	22x32		N	
		V-30	Ø30		5	
		V-40	Ø40		7	
		F12 ⁶¹⁾	V-60		Ø60 ⁶³⁾	8
		F12 ⁶¹⁾	H-22		22x33	T
		SV-60	Ø60	J		
				P-2118		
			-			
			P-1413/B			

		90°.			
A				0	1
B				0	3
G	(-40°C)		Z575f/ZK575f	1	5
H	e - DB41.			4	0

A+B =04; A+G=17; A+H=41; B+G=16; B+H=42; A+B+G=19; A+B+H=44; A+G+H=47; B+G+H=48

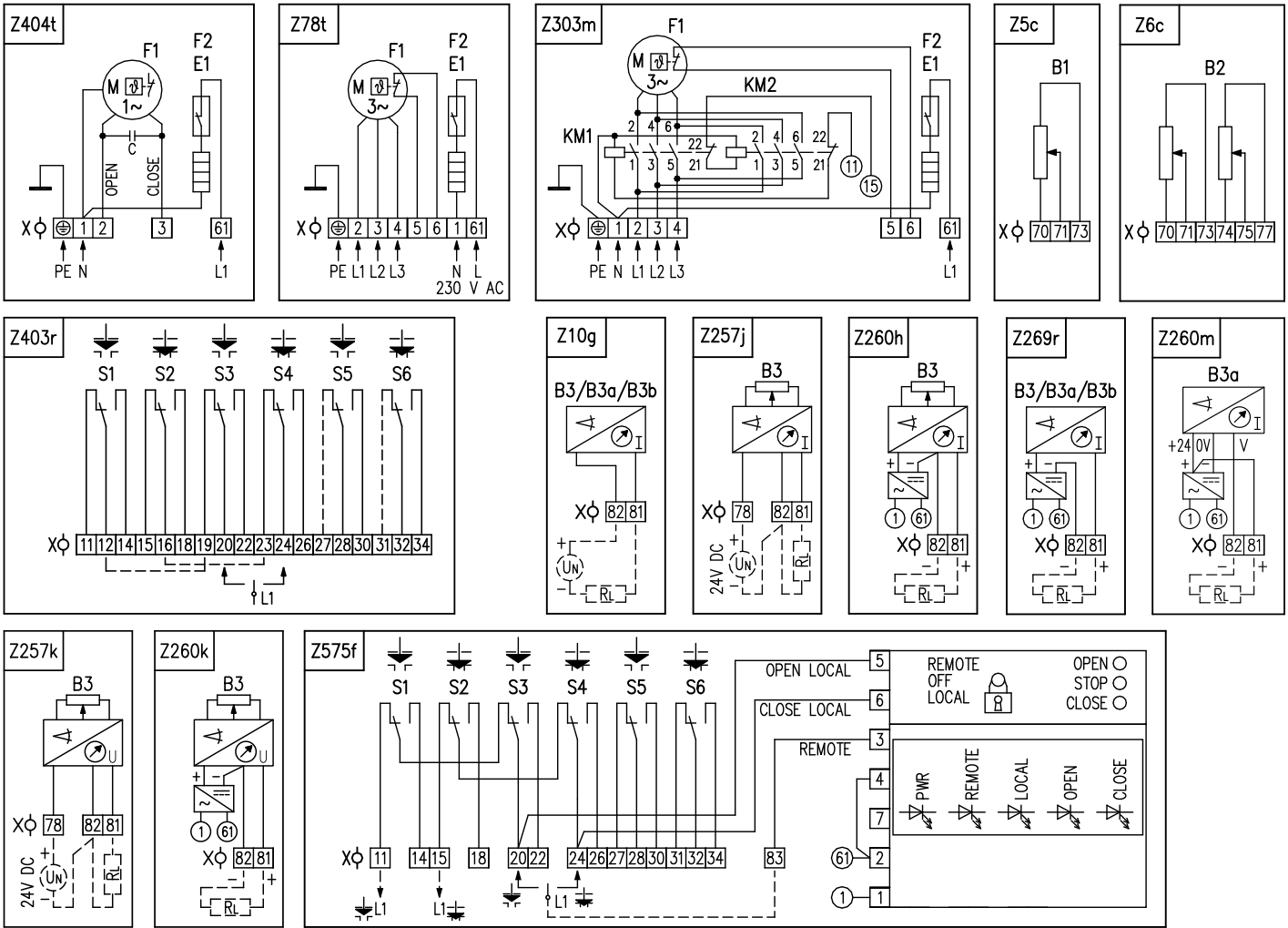
60)
61)
62)
63)
64)
65)

F10 - .500
F12 - .1000

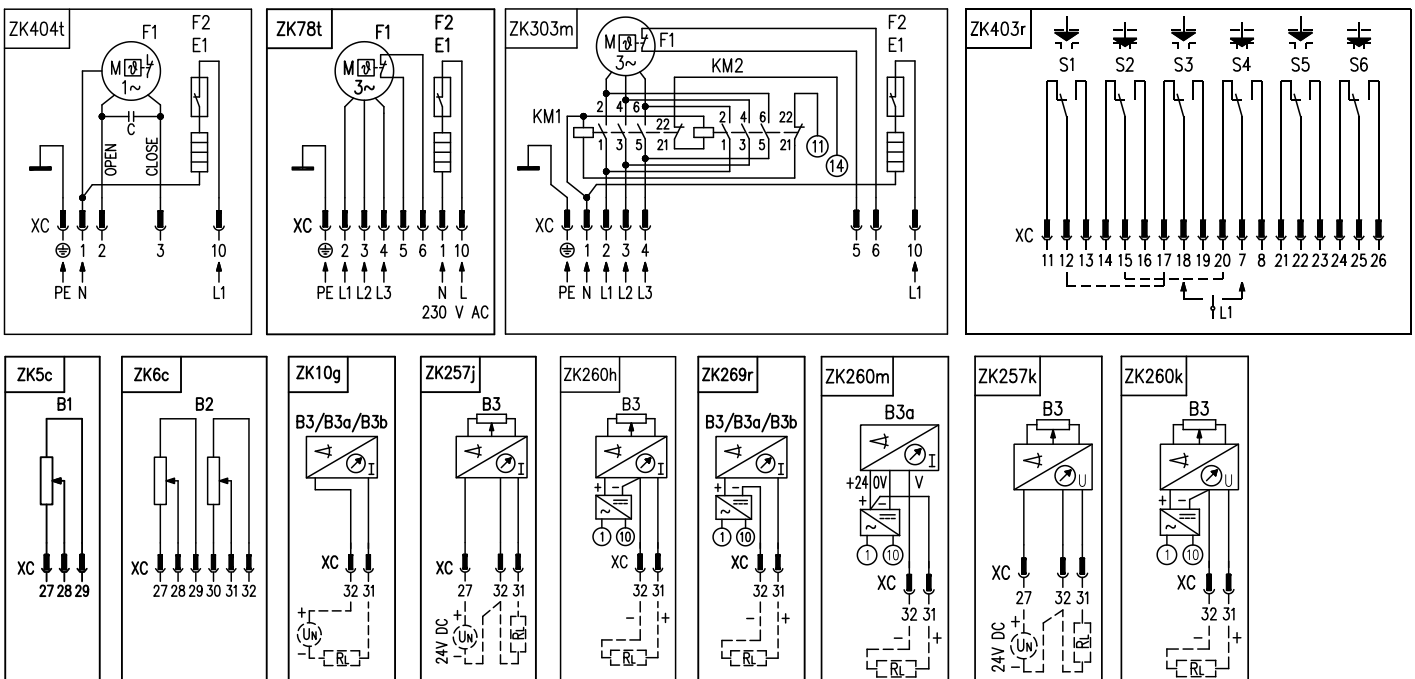
Ø10.

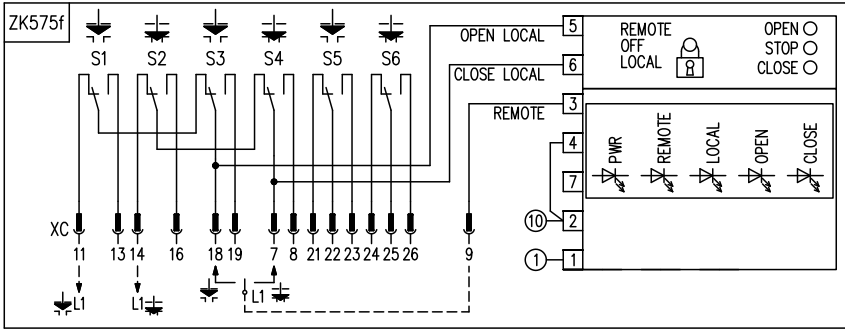
UP 2.5

P



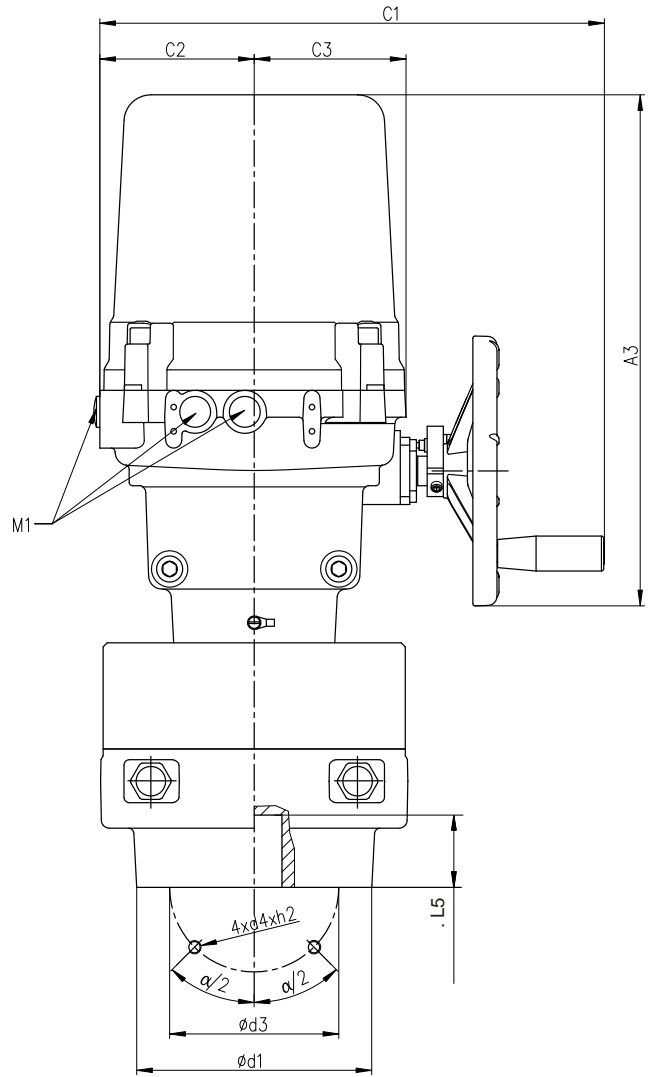
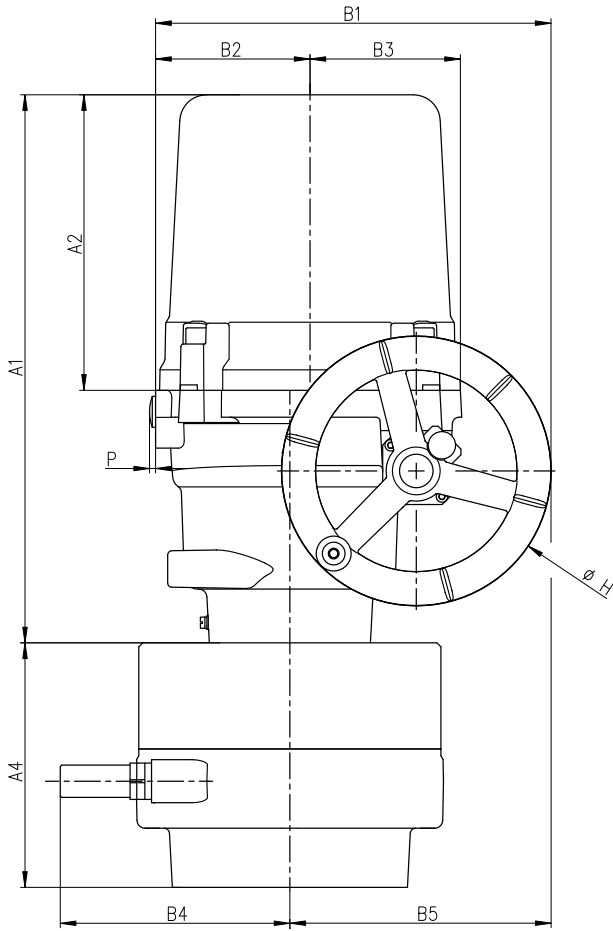
P





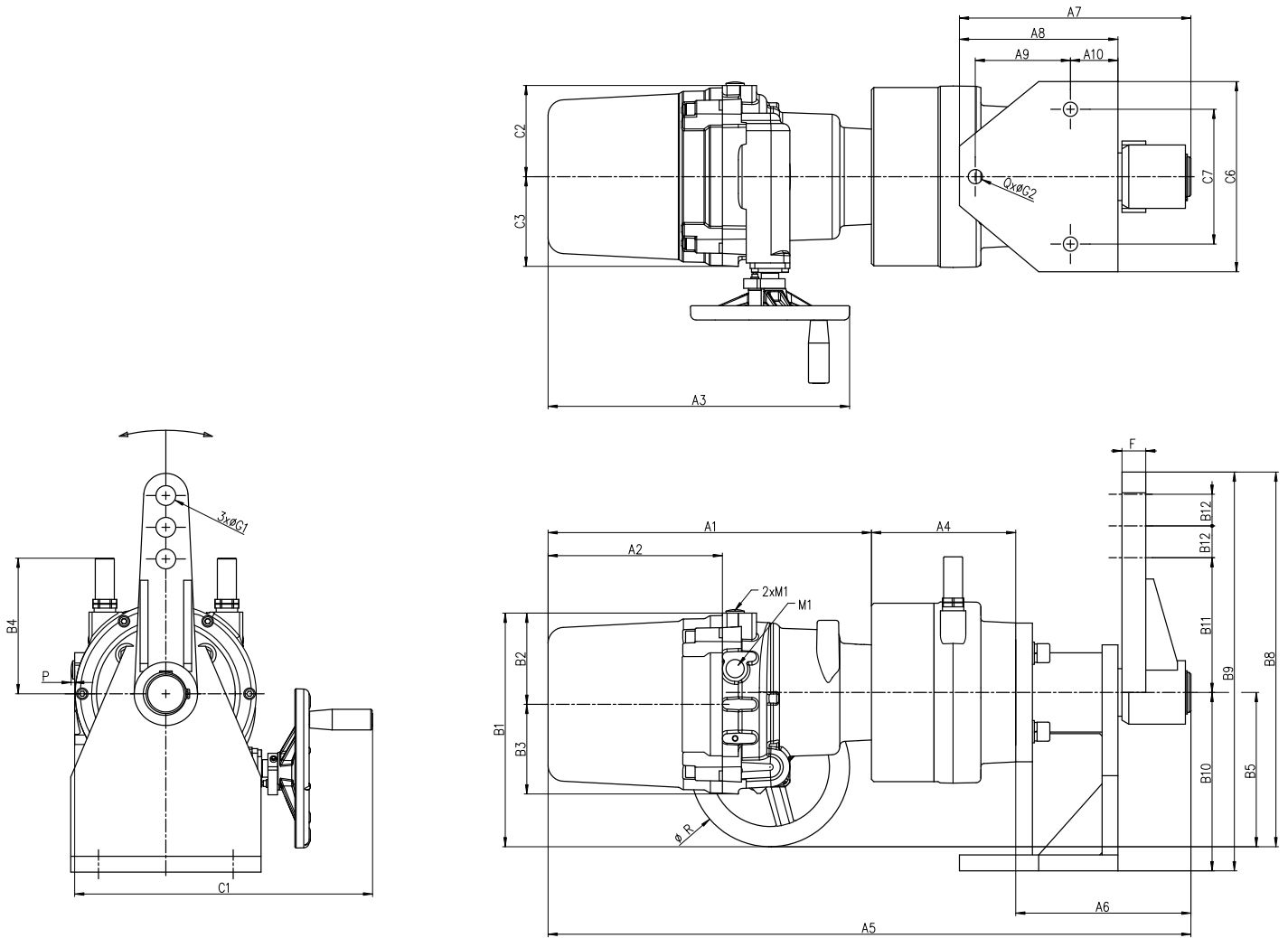
	:	32		2,5		3
	:		2			
1.	:	(Z404t)				5 6
2.	:					
	:					
Z5c/ZK5c	:					
Z6c/ZK6c	:					
Z10g/Z10g	:					
Z78t/ZK78t	:					
Z257j/ZK257j	:					
Z257k/ZK257k	:					
Z260h/ZK260h	:					
Z260m/ZK260m	:					
Z260k/ZK260k	:					
Z269r/ZK269r	:					
Z303m/ZK303m	:					
Z404t/ZK404t	:					
Z575f/ZK575f	:					
B1	p					
B2	p					
B3						
B3a						
B3b						
C						
E1						
F1						
F2						
I / U						
KM1, KM2						
M						
R						
R _L						
OPEN-STOP-CLOSE						
REMOTE-OFF-LOCAL						
S1						
S2						
S3						
S4						
S5						
S6						
X						
XC						
Y						

UP 2.5



D-xx		L-xx		H-xx		V-xx				
ISO		ISO		ISO			ISO			
D-xx	U	L-xx	U	H-xx	U	V	V-xx	W	Z	X
D-22	22	L-22	22	H-22	22	32	V-30	30	32.5	8
D-27	27	L-27	27	H-27	27	48	V-40	40	43.1	12
D-36	36	L-36	36	H-36	36	48	V-42	42.0	45.1	12
							V-48	48	51.5	14
							V-50	50	53.5	14
							V-60	60	64.4	18

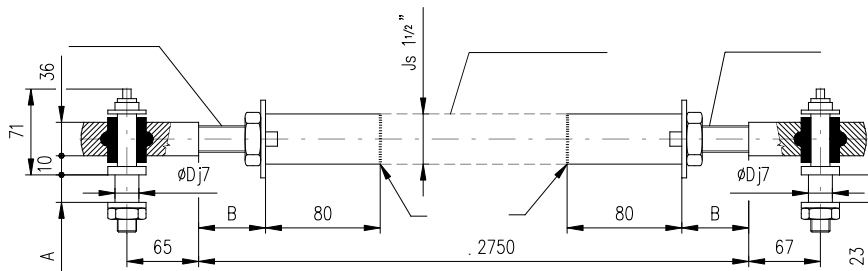
		d1	d3	d4	h2	a/2	A1	A2	A3	A4	B1	B2	B3	B4	B5	C1	C2	C3	H	L5	P	M1
UP 2.5	F10/F14	175	102/140	M10/M16	20/35	45°	408	220	380	182	295	115	112	171	195	376	115	113	200	70	4.5	M20x1.5
	F12	175	125	M12	26	45°																



	A1	A2	A3	A4	A5	A6	A7	A8	A9	A10	B1	B2	B3	B4	B5	B8	B9	B10	B11	B12	C1	C2	C3	C6	C7	F	G1	G2	M1	P	Q	R
UP 2.5	408	220	380	182	811	221	292	200	120	60	295	115	113	171	195	473	503	225	170	40	376	115	113	240	170	30	25	18	M20x1.5	4.5	3	200

P-2115

TV 50-1/25



P-1413/B	TV 50-1/25	28	Min.30 Max.50	25
		A	B	D

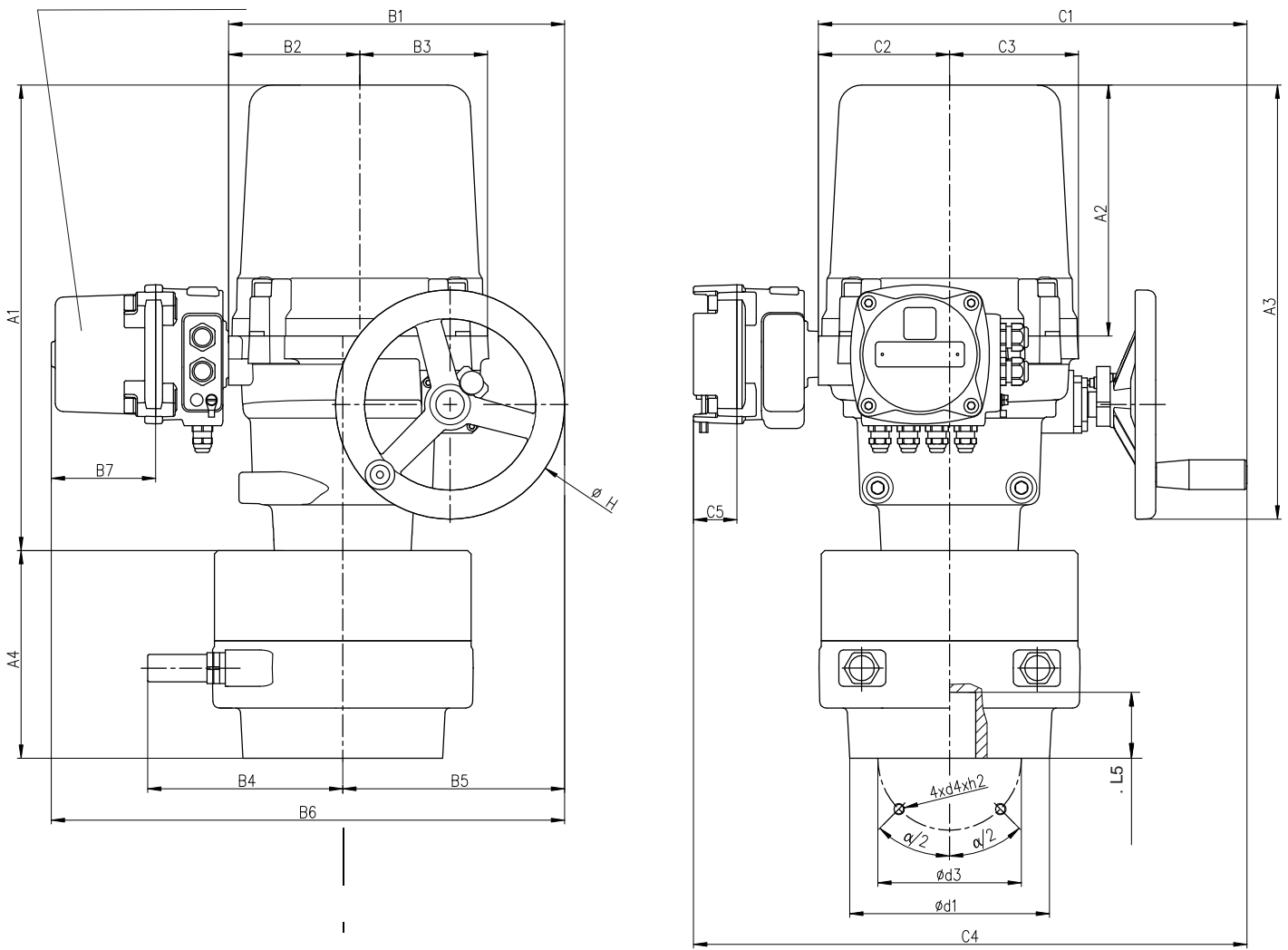
P - 1413/B

om

SV xx		H	S	U	V	Z	Y	Y1		
		UP 2.5	64.4	60	18	84	70	4	7	SV-60

P-2118

UP 2.5

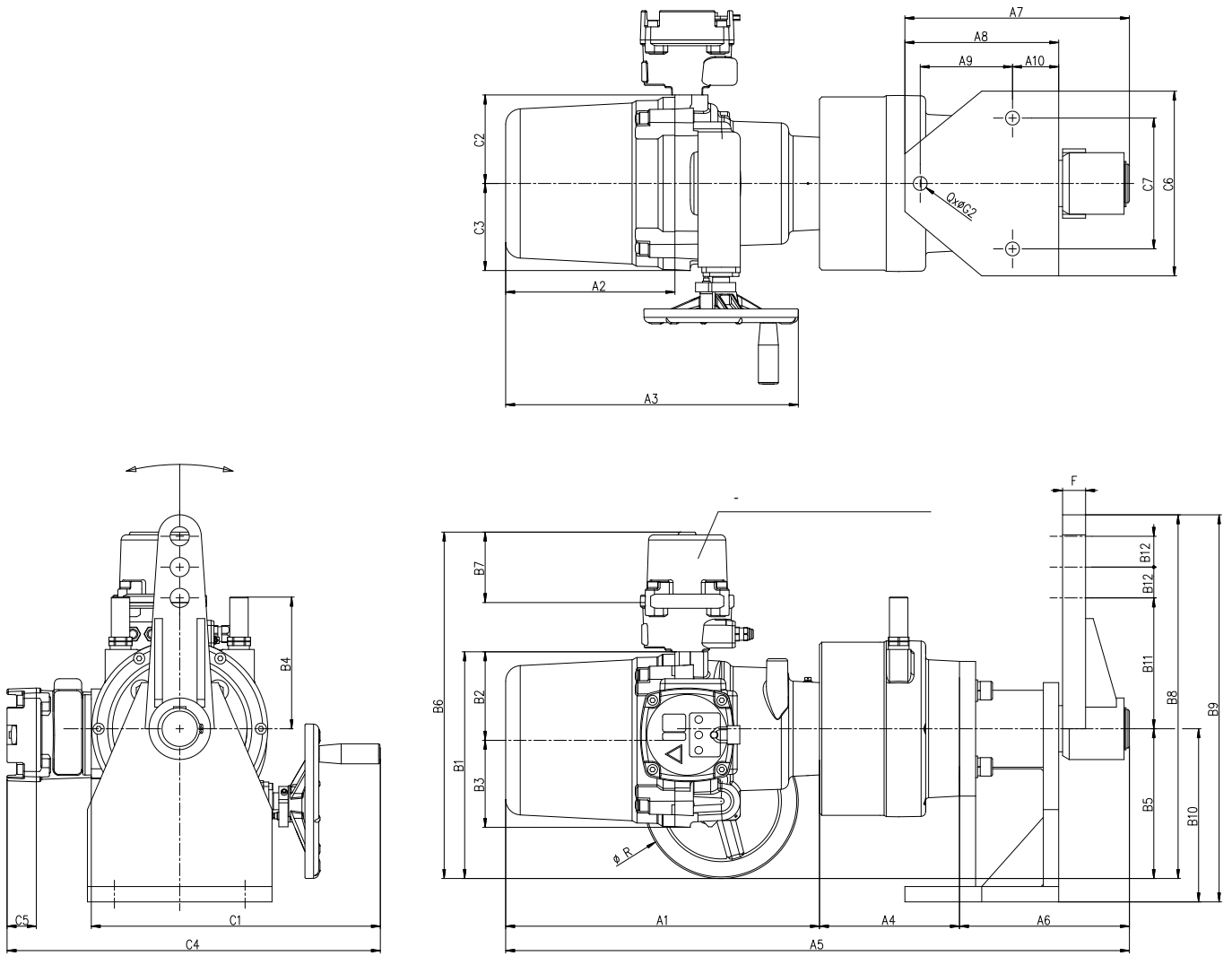


D-xx		L-xx		H-xx		V-xx				
ISO	U	ISO	U	ISO	U	V	ISO	W	Z	X
D-22	22	L-22	22	H-22	22	32	V-30	30	32.5	8
D-27	27	L-27	27	H-27	27	48	V-40	40	43.1	12
D-36	36	L-36	36	H-36	36	48	V-42	42.0	45.1	12
							V-48	48	51.5	14
							V-50	50	53.5	14
							V-60	60	64.4	18

		d1	d3	d4	h2	a/2	A1	A2	A3	A4	B1	B2	B3	B4	B5	B6	B7	C1	C2	C3	C4	C5	H	L5
UP 2.5	F10/F14	175	102/140	M10/M16	20/35	45°	408	220	380	182	295	115	112	171	195	450	92	376	115	113	485	38	200	70
	F12	175	125	M12	26	45°																		

UP 2.5

()



	A1	A2	A3	A4	A5	A6	A7	A8	A9	A10	B1	B2	B3	B4	B5	B6	B7	B8	B9	B10	B11	B12	C1	C2	C3	C4	C5	C6	C7	F	G1	G2	Q	R
UP 2.5	408	220	380	182	811	221	292	200	120	60	295	115	113	171	195	450	92	473	503	225	170	40	376	115	113	485	38	240	170	30	25	18	3	200

P-2117