

REMATIC, DMS3, 24 V DC (2P)
 (3P).
 : LED (RS-232).
 « - ». a a



DMS3

- 220 VAC
- T
- 2 () R1, R2 (18)¹⁾
- READY¹⁾
- - 0/4 - 20 mA, 4 - 12 mA, 12 - 20 mA 0/2 - 10 V¹⁾
- 24 V DC - , ,
- 24 V DC - , ,
- ESD ()
- - 4 - 20 mA a ()¹⁾
- 24 V DC, 40
- e
- (, , .)
- RS 232
- IP67
- LED
- RE3, RE4, RE5¹⁾
- RE1, RE2, RE3, RE4, RE5, READY¹⁾
- PROFIBUS DP V0/V1,
- MODBUS RTU,

1) Profibus Modbus

STR 0.1PA

438. x - x x x x x / x x

/		o	e	10)		
3.1			-25 °C ... +55 °C	C3	IP 67	1
			-25 °C ... +55 °C	C3	IP 68 ¹¹⁾	5
B2	+		-25 °C ... +55 °C	C4	IP 67	2
2			-25 °C ... +55 °C	C3	IP 67	6
1	-		-25 °C ... +55 °C	C4	IP 67	7

		23)			
	50 Hz	230 V AC	Z514a Z523a Z515a	0	
		220 V AC		L	
		24 V AC		3	
		60 Hz	240 V AC	Z514a Z523a Z515a	V
			120 V AC		T
			110 V AC		B
	50 Hz	24 V AC	Z532a, Z536a, Z537a	J	
		3x400 V AC		2	
		3x380 V AC		N	

		32)		33)			
						50 Hz	60 Hz
1 900 N		1 600 N		1 600 N	10 mm/min	12 mm/min	4
					16 mm/min	19 mm/min	5
					25 mm/min	30 mm/min	6
					40 mm/min	48 mm/min	7
3 600 N		3 200 N		2 500 N	10 mm/min	12 mm/min	A
					16 mm/min	19 mm/min	B
					25 mm/min	30 mm/min	C
					32 mm/min	38 mm/min	D
4 600 N		4 000 N		-	40 mm/min	48 mm/min	E
					63 mm/min	75 mm/min	F
					10 mm/min	12 mm/min	G
					16 mm/min	19 mm/min	H
5 800 N		5 000 N		3 200 N	25 mm/min	30 mm/min	I
					32 mm/min	38 mm/min	J
					40 mm/min	48 mm/min	K
					10 mm/min	12 mm/min	M
7 200 N		6 300 N		4 000 N	16 mm/min	19 mm/min	N
					25 mm/min	30 mm/min	P
					32 mm/min	38 mm/min	Q
					40 mm/min	48 mm/min	R
				5 000 N	10 mm/min	12 mm/min	T
					16 mm/min	19 mm/min	U
					25 mm/min	30 mm/min	V
					32 mm/min	38 mm/min	W
					40 mm/min	48 mm/min	Y

10		10 - 50 mm	I

DMS3	2P	24 V DC		-	Z515a, Z537a	F	
	3P/2P	0/4 - 20 mA	24 V DC	4 - 20 mA	Z514a, Z532a	G	
		0/2 - 10 V				Z523a, Z536a	H
DMS3 M1	/2P	MODBUS RTU	24 V DC	-		M	
DMS3 M2						N	
DMS3 P1		PROFIBUS DP V0 / V1				P	
DMS3 P2						R	

STR 0.1PA

438. x - x x x x x / x x

F05 ISO 5210	45 mm	M12x1.25-20	P-1201	A
	103 mm		P-1202/A	B
	110 mm		P-1202/B	C
	112 mm		P-1202/C	D
	92 mm		P-1202/D	E
	102 mm		P-1202/E	F
	94 mm		P-1202/F	3
	124 mm		P-1202/G	4
	59 mm	M10x1-26	P-1418/A	G
	86 mm	M10x1.5-26	P-1418/B	H
	66 mm ⁶¹⁾	M12-26	P-1472	V
	59 mm	M12x1.5-26	P-2075	5
	127 mm	M14-26	P-1203/A	J
	42 mm	M16x1.5-26	P-1203/B	K
	80 mm	1/2-13 UN	P-1203/C	L
	27 mm	3/8-16 UN	P-1203/D	M
	57 mm	5/16-18 UN	P-1203/E	N
	110 mm		P-1203/F	P
	70 mm		P-1203/G	7
4	103 mm		P-1468/A	R
	110 mm		P-1468/B	T
	66 mm		P-1470	U

A			-	0	1
C	LED		-	0	4
D	RE3, RE4, RE5 (DMS3 RE3) ⁷¹⁾		Z500a	0	5
E	RE1, RE2, RE3, RE4, RE5, READY (DMS3 RE6) ⁷¹⁾		Z500	0	6
F	LCD (P-2045. -25°C)		Z473a	0	7
A+C=21, A+D=22, A+E=23, A+F=24, A+C+D=58, A+C+E=59, C+D=35, C+E=36, D+F=40, E+F=44, A+D+F=63, A+E+F=67					

DB-9F/RJ45	224A80100
	224763601

10) : ISO 9223 / EN ISO 12944-2.

11) IP 68 - 10 / 48

23)

32) S2-10 min a S4-25% 90 /

33) S4-25%, 90 - 1200 /

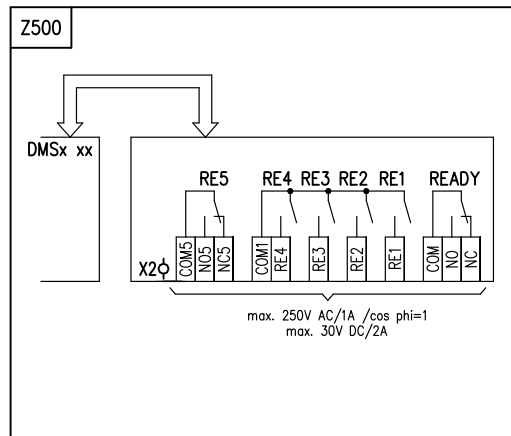
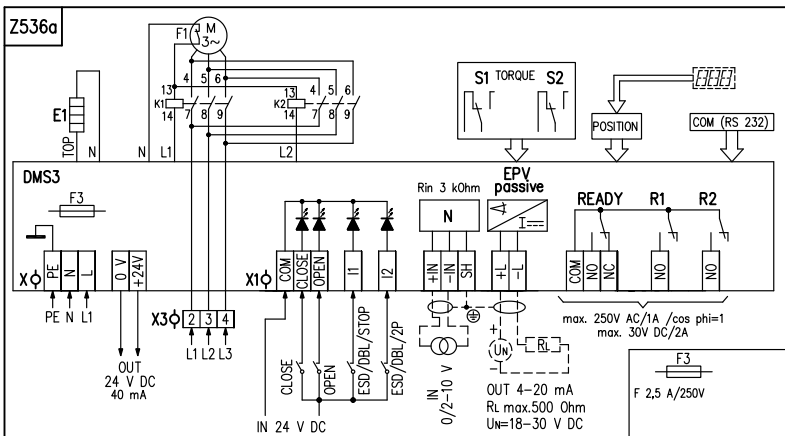
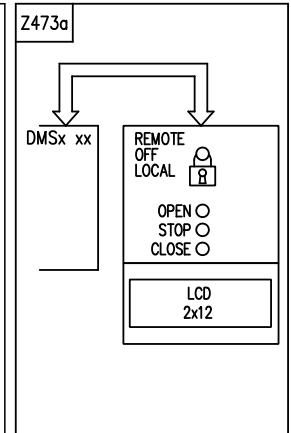
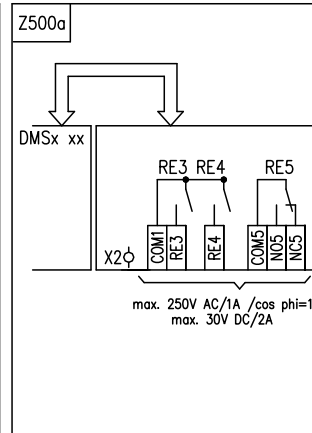
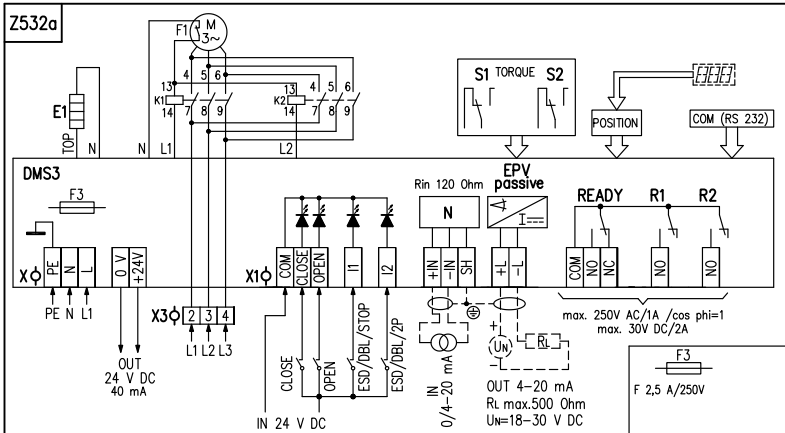
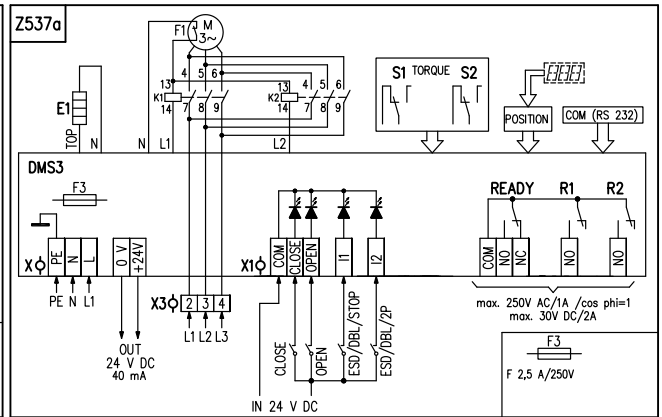
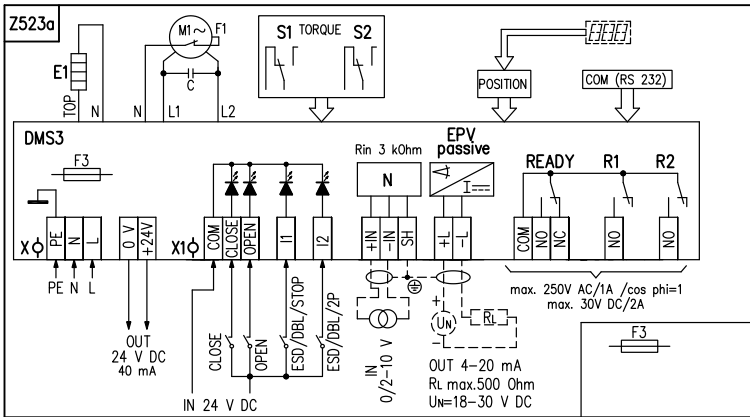
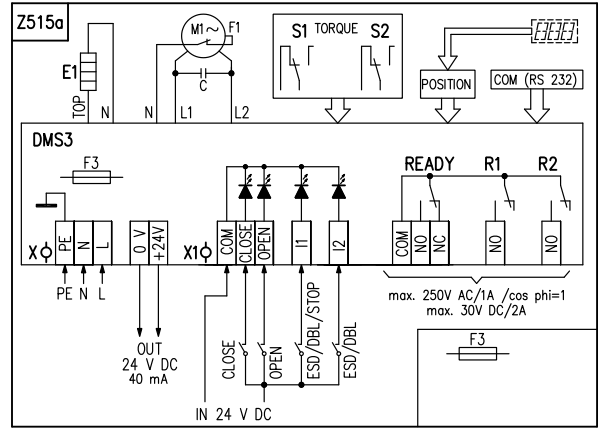
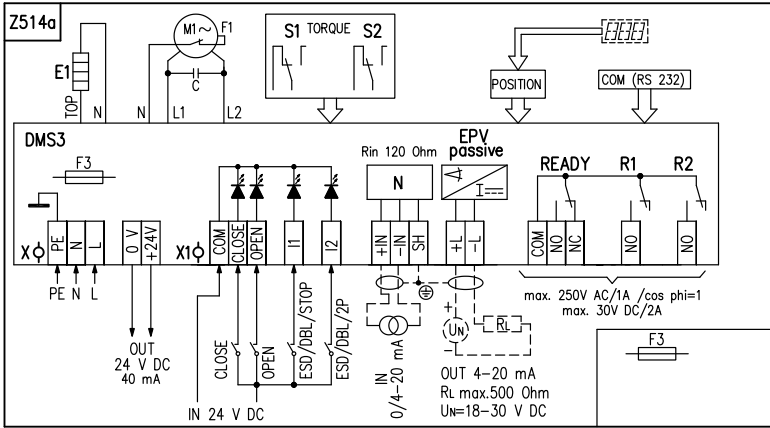
61) . 3600N.

62)

71) 230/220 VAC 3x400/3x380 V AC.

PROFIBUS MODBUS RTU.

STR 0.1PA



1. N, L () 230 V AC, 24 V AC

3 M16x1,5 6 10,5 mm.

X -
 PE, N, L (0,05 - 1,5 mm²) (24 V AC 110/120 V AC, 230/240 V AC, 50/60 Hz
 0 V, +24 V (1,5 mm²) 24 V DC (40 mA)
X1 -
 COM, CLOSE OPEN, I1, I2... (0,05 - 1 mm²) 24 V DC
 +IN, -IN, SH (0,05 - 1 mm²) 0/4-20 mA (0/2-10V)
 +L, -L, SH (0,05 - 1 mm²) () 4-20 mA
 COM, NO, NC (0,05 - 1,5 mm²) READY
 COM, NO (0,05 - 1,5 mm²) R1, R2
X2 -
 COM1, RE3, RE4 (0,05 - 1,5 mm²) RE3, RE4
 COM5, NO5, NC5 (0,05 - 1,5 mm²) RE5

Z473 o o
 Z500a 3
 Z514a a 24 V DC 0/4 - 20 mA c
 4 - 20 mA a
 Z515a a 24 V DC
 Z523a ON/OFF o o o o a 0/2 - 10 V c
 4 - 20 mA a
 Z532a a 24 V DC 0/4 - 20 mA c
 4 - 20 mA a
 Z536a a 24 V DC 0/2 - 10 V c
 4 - 20 mA a
 Z537a a 24 V DC

C
 COM(RS232) PC
 EPV passive (EPV)
 E1
 F1
 F2
 F3
 M1~/ M3~
 N
 R
 POSITION
 Rin
 R₁
 UN EPV
 R1, R2
 READY ()

R1, R2, RE3, RE4, RE5:

READY: o ; o ; o ; o

(EPV): 4 - 20 mA, 20 - 4 mA.

(): 2P, 3P, 3P/2P I2.

(N): 4 - 20 mA, 20 - 4 mA, 0 - 20 mA, 20 - 0 mA, 4 - 12 mA, 12 - 4 mA, 12 - 20 mA, 20 - 12 mA;

: 2 - 10V, 10 - 2V, 0 - 10V, 10 - 0V

I1: ; ESD (Emergency shut down - I1

"); DBL (-

I2: ; ESD (Emergency shut down - I2

"); DBL (

3P/2P I2 I2

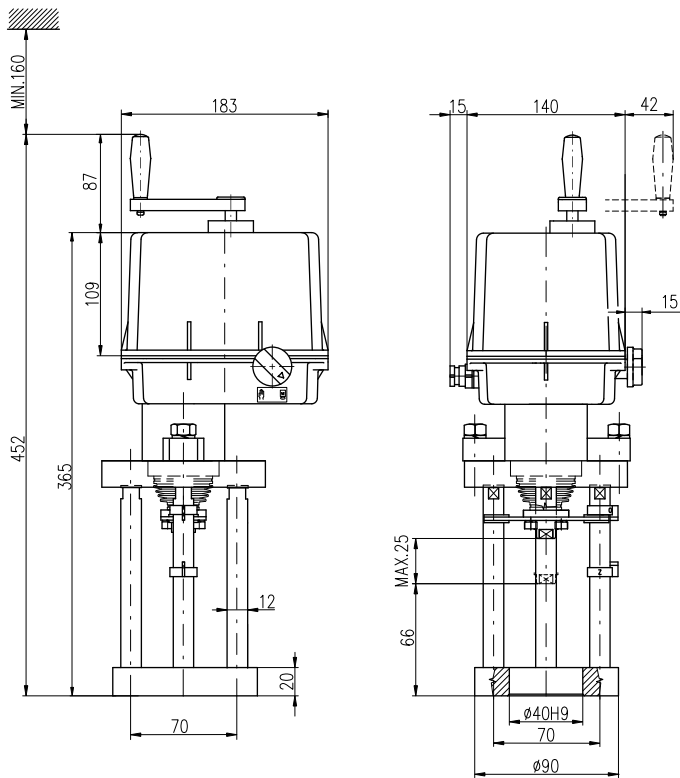
O : ; ;

24 V DC); 2P (

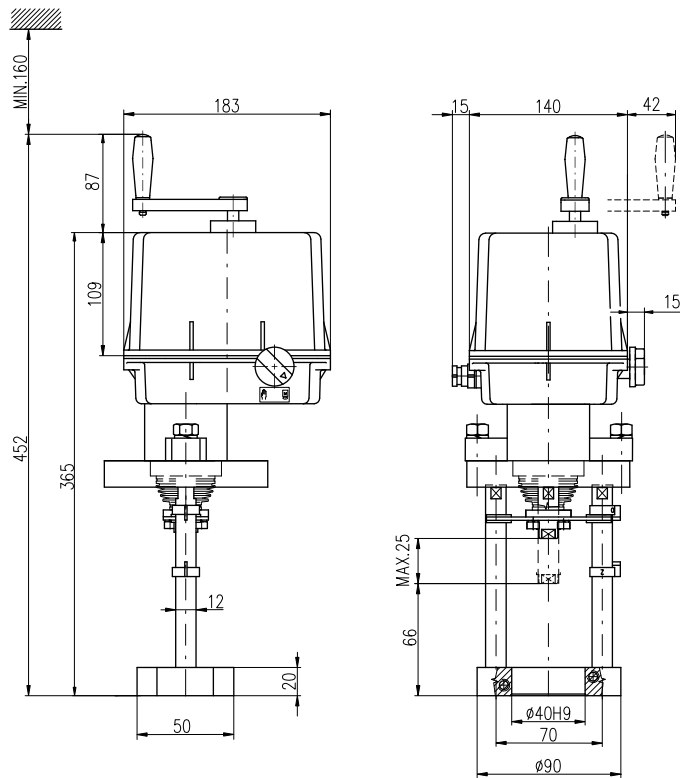
I1, I2 _____ ESD I1,

I2).

STR 0.1PA

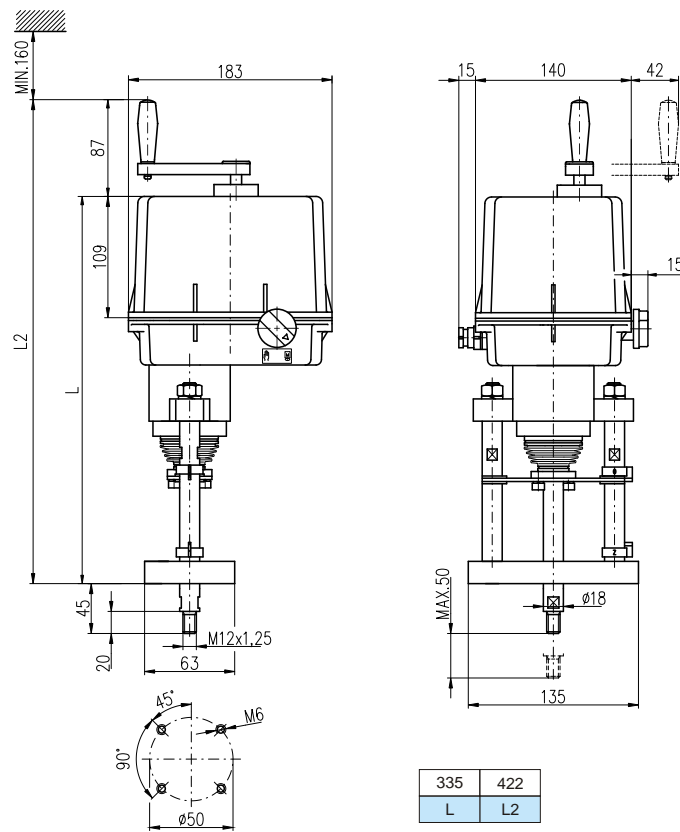


P - 1470



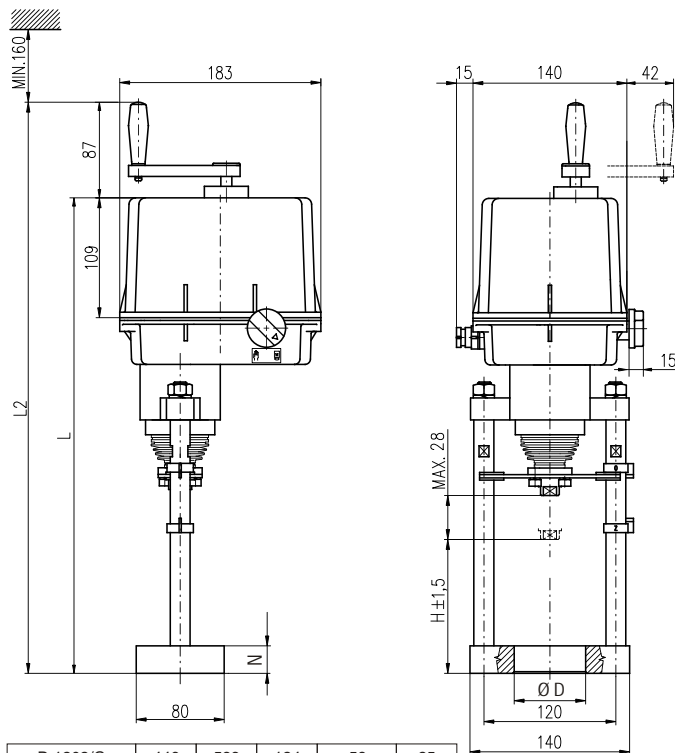
P - 1472

DMS3 P-2045



335	422
L	L2

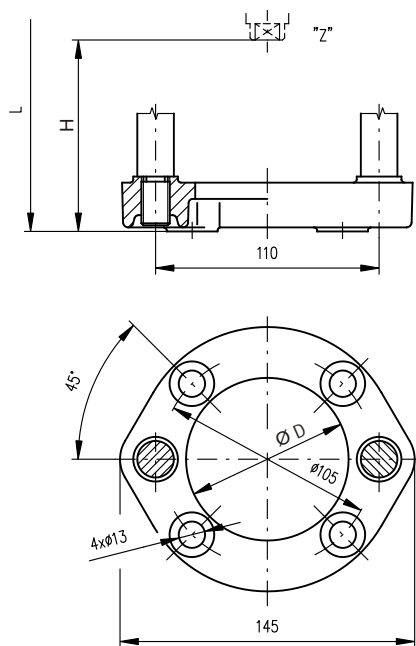
P - 1201



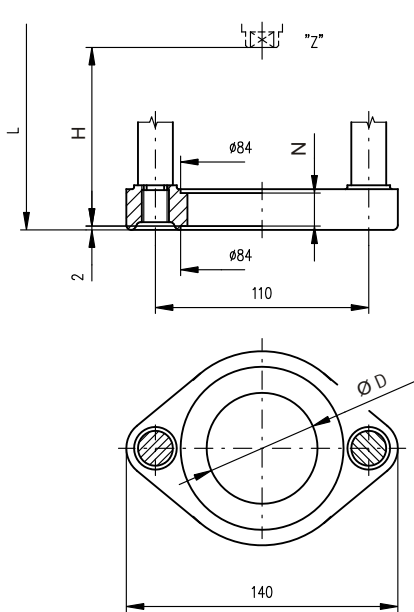
P-1202/G	446	533	124	58	25
P-1202/F	416	503	94	58	20
P-1202/E	426	513	102	57.15 H8	17
P-1202/D	416	503	92	57.15 H8	17
P-1202/C	434	521	112	80 H8	-
P-1202/B	434	521	110	65 H12	25
P-1202/A	425	512	103	65 H12	25
	L	L2	H	D	N

P - 1202/A, B

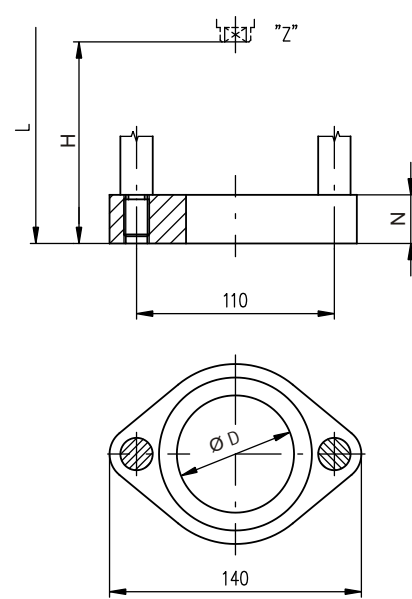
DMS3 P-2045



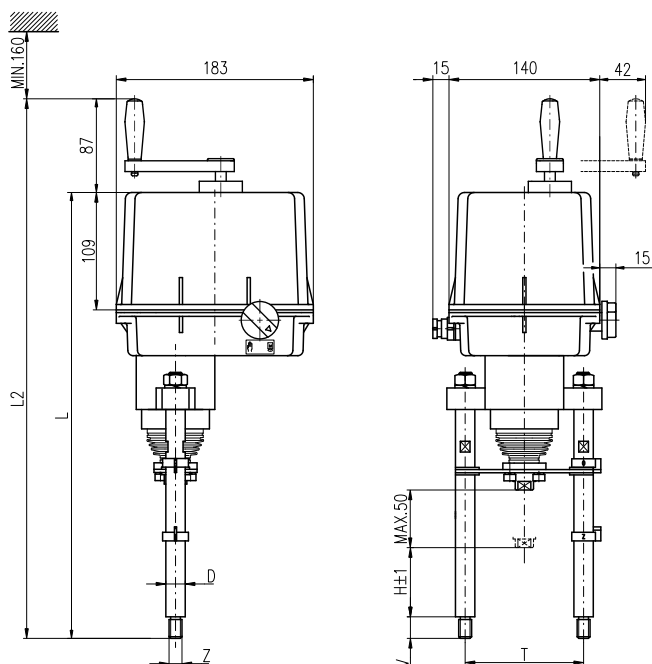
P - 1202/C



P - 1202/D, E

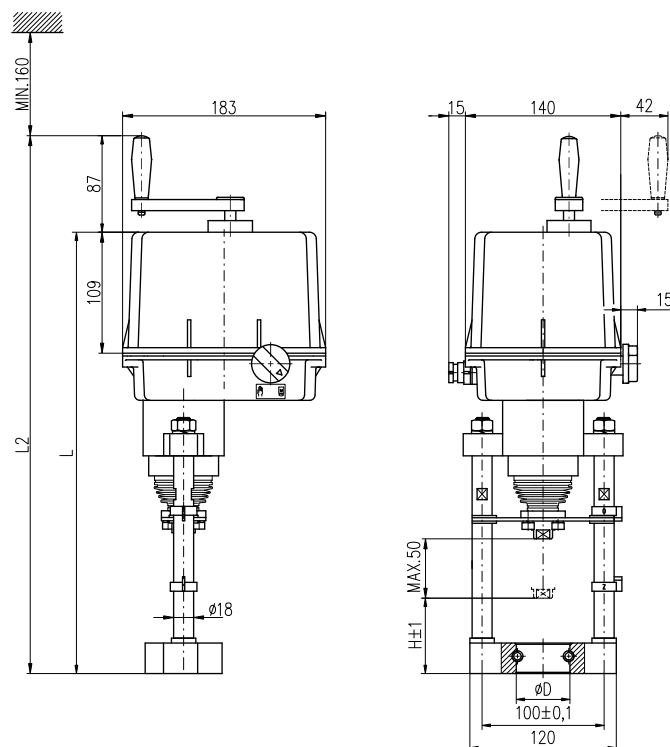


P - 1202/F, G



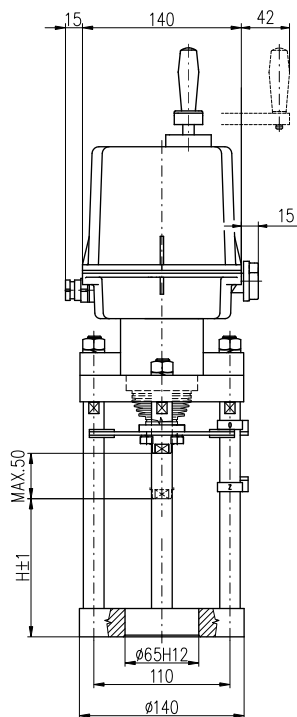
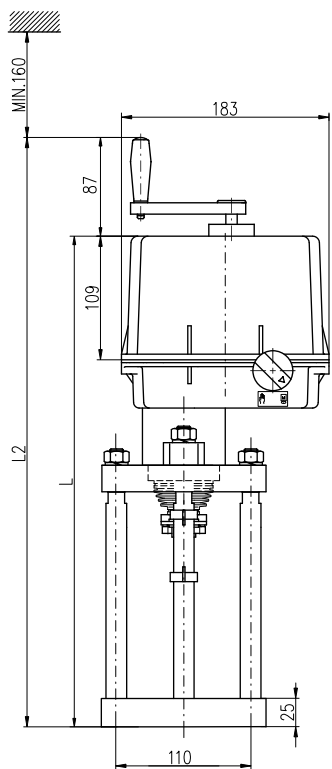
G	100	70	18	M16	16	408	495	
F	100	110	18	M16	16	448	535	
E	100	57	18	M16	16	395	482	
D	100	27	18	M16	16	365	452	
C	110	80	18	M12	32	434	521	
B	110	42	18	M12	20	384	471	
A	110	127	18	M12	20	469	556	
	T	H	D	Z	V	L	L2	

P - 1203

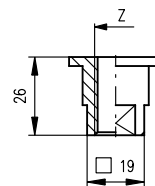


P-1418/B	86	60	400	487
P-1418/A	59	38	373	460
	H	D	L	L2

P - 1418



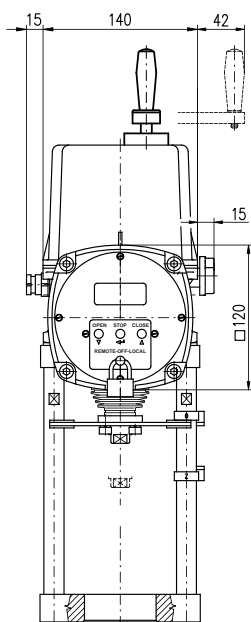
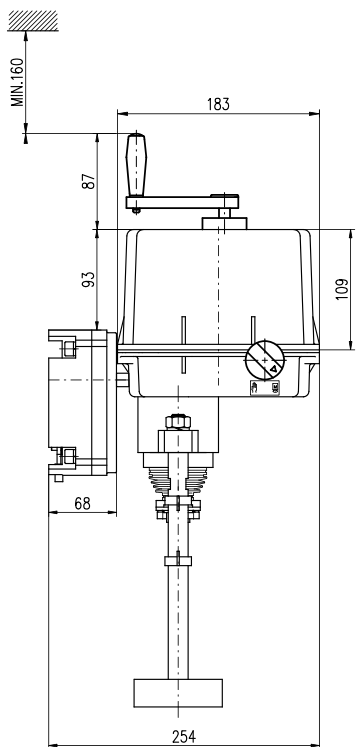
P-1468/B	110	434	521
P-1468/A	103	425	512
	H	L	L2



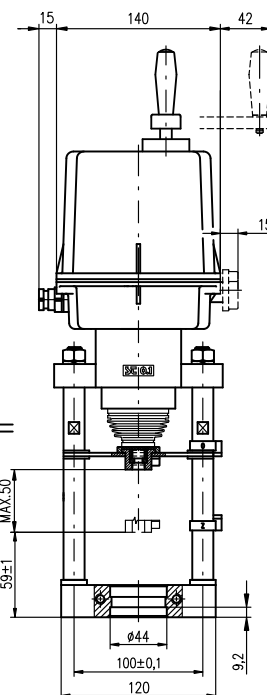
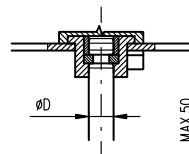
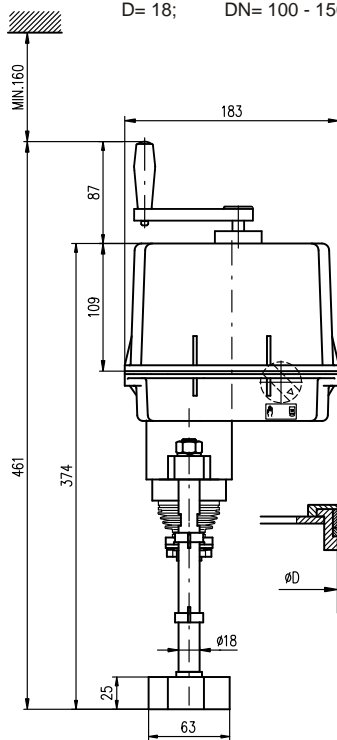
M14	
M12x1.25	
W1/2"	
W3/8"	
W5/16"	
M16x1.5-6H	
M12x1.5-6H	
M12-6H	1/2" - 13 UN
M10x1.5-6H	3/8" - 16 UN
M10x1-6H	5/16" - 18 UN
Z	

DMS3 P-2045

P - 1468/A,B



P - 2045



ov RV 113M

D= 12; DN= 15 - 80; p
D= 18; DN= 100 - 150; p

= 20 mm
= 40 mm

P - 2075