

REMATIC, DMS3, 24 V DC (2P)
 (3P)
 : LED (RS-232).
 « - ». a a



DMS3

- 220 VAC
-
-
- 2 R1, R2 (18)
- READY
- - 0/4 - 20 mA, 4 - 12 mA, 12 - 20 mA 0/2 - 10 V
- 24 V DC - , ,
- 24 V DC - , ,
-
- ESD ()
- - 4 - 20 mA a ()
-
-
- RS 232
- (, , .)
-
- ISO 5211
-
- IP 67

SPR OPA

230.	x	-	x	x	x	x	x	/	x	x
------	---	---	---	---	---	---	---	---	---	---

/	o	e	10)	
3.1		-25°C ... +55°C	C3	IP 67
		-25°C ... +55°C	C3	IP 68 ¹¹⁾
B2	+	-25°C ... +55°C	C4	IP 67
2		-25°C ... +55°C	C3	IP 67
1	-	-25°C ÷ +55°C	C4	IP 67

			23)	
50 Hz	230 V AC		Z516a Z517a Z518a	0
	220 V AC			L
	24 V AC			3
	240 V AC			V
	120 V AC			T
	110 V AC			B
60 Hz	24 V AC			J

« - » ³²⁾		33)		50 Hz	60 Hz	
12 Nm (7 Nm) ^{30) 35)}	10 Nm (7 Nm) ^{30) 35)}	15 s/90°	13 s/90°		6	
25 Nm (15 Nm) ^{30) 35)}	20 Nm (15 Nm) ^{30) 35)}	30 s/90°	27 s/90°		7	
32 Nm	25 Nm	60 s/90°	55 s/90°		8	
40 Nm	32 Nm	100 s/90°	80 s/90°		9	
40 Nm	32 Nm	130 s/90°	105 s/90°		5	

41)		90°	F
		120°	G
42)		60° - 120°	M
		90° - 160°	N
		160° - 360°	P

DMS3		2P	24 V DC	,	,	-	Z517a	F
		3P/2P	0/4 - 20 mA	24 V DC		4 - 20 mA	Z516a	G
			0/2 - 10 V	,	,		Z518a	H

ISO 5211				P-2015							
F04	D-11	11x11	P-1172	P-2015	A						
					B						
					F04	L-11	11x11	P-1172	S		
									T		
					F04	SD-11	11x11	P-1173	C		
									D		
					F04	SL-11	11x11	P-1173	U		
									V		
					F07	D-14	14x14	P-1451/F	K		
									H-14	14x18	L
											H-8
									V-12	Ø12	
					F05	D-14	14x14	P-1451/A	N		
									D-11	11x11	P
											H-14
					-	SL-11	11x11	P-1174	E		
+	⁶¹⁾	-	P-0100	F							
+	+	V 160 ⁶¹⁾		G							
KOMEX ⁶⁰⁾				P-1219	I						
ESBE				P-1221	J						

SPR 0PA

230.	x	-	x	x	x	x	x	x	/	x	x
------	---	---	---	---	---	---	---	---	---	---	---

										↓	↓	
A											0	1

DB-9F/RJ45					224A80100						
					224763601						

- 10) :
- 11) IP 68 - 10 / 48
- 23)
- 30)
- 32) S2-10 min, S4-25%, 6-90 /
- 33) S4-25%, 90 - 1200 /
- 35) 60 Hz 1,2
- 41)
- 42)
- 60) 90°
- 61) 32Nm.

ISO 9223 / EN ISO 12944-2.

R1, R2:

READY: o ; o ; o ; o

(EPV): 4 - 20 mA, 20 - 4 mA.

(): 2P, 3P, 3P/2P I2.

(N): 4 - 20 mA, 20 - 4 mA, 0 - 20 mA, 20 - 0 mA, 4 - 12 mA, 12 - 4 mA, 12 - 20 mA, 20 - 12 mA;

: 2 - 10 V, 10 - 2 V, 0 - 10 V, 10 - 0 V

I1: ; ESD (Emergency shut down - I1

"); DBL(- ; !

I2: ; ESD (Emergency shut down - I2

"); DBL(;

3P/2P I2

I2

24 V DC). ; 2P (

O

I1, I2

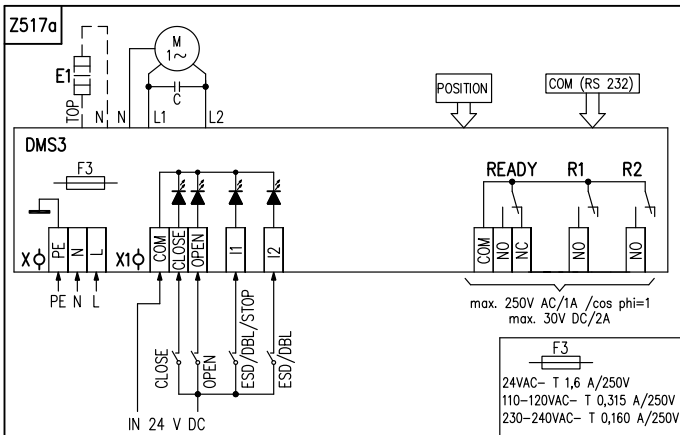
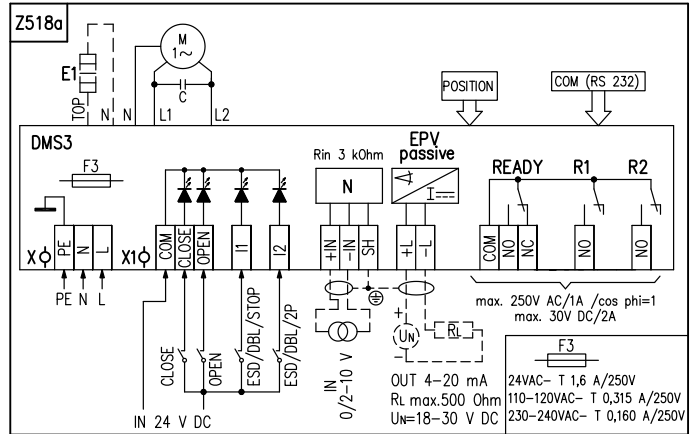
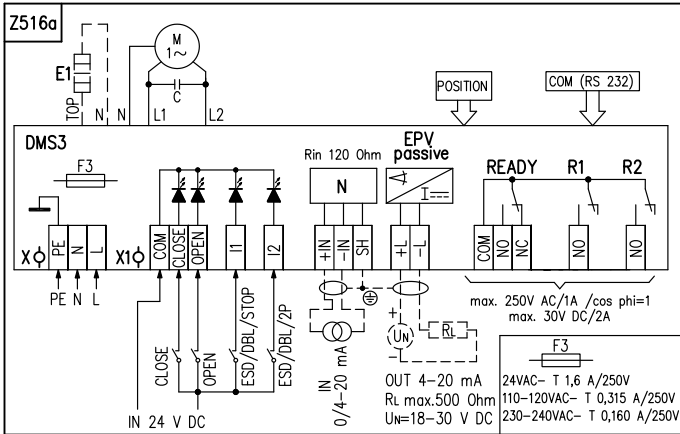
ESD

I2).

ESD

I1,

SPR 0PA



1. N, L () 220 V AC, 24 V AC

3 M16x1,5 6 10,5 mm.

X - PE, N, L (0,05 - 1,5 mm²) (24 V AC 110/120 V AC, 230/240 V AC, 50/60 Hz)

X1 - COM, CLOSE OPEN, I1, I2... (0,05 - 1 mm²) 24 V DC

+IN, -IN, SH (0,05 - 1 mm²) 0/4-20 mA (0/2-10V)

+L, -L, SH (0,05 - 1 mm²) () 4-20 mA

COM, NO, NC (0,05 - 1,5 mm²) READY

COM, NO (0,05 - 1,5 mm²) R1, R2

Z516a..... SPR 0PA ON/OFF o o o a o 0/4 o 20 mA

Z517a..... SPR 0PA 24 V DC

Z518a..... SPR 0PA ON/OFF o o o a o 0/2 o 10V o 4 o 20 mA

C PC

COM(RS232)

EPV passive..... (EPV)

E1.....

F3.....

M1~.....

N.....

POSITION.....

Rin.....

RL.....

R1, R2.....

READY..... ()

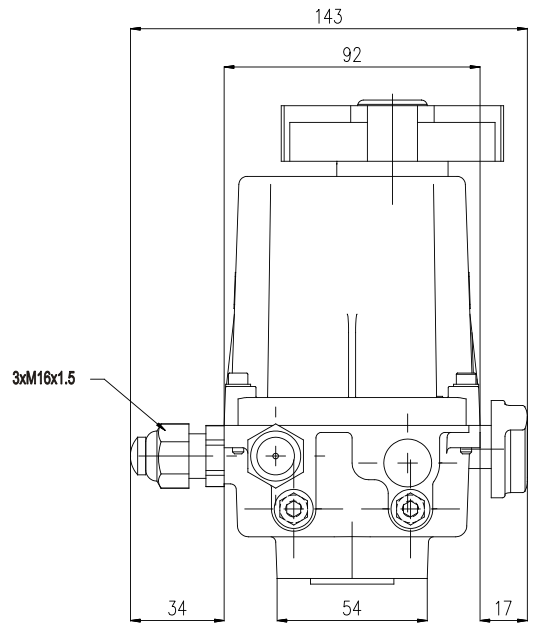
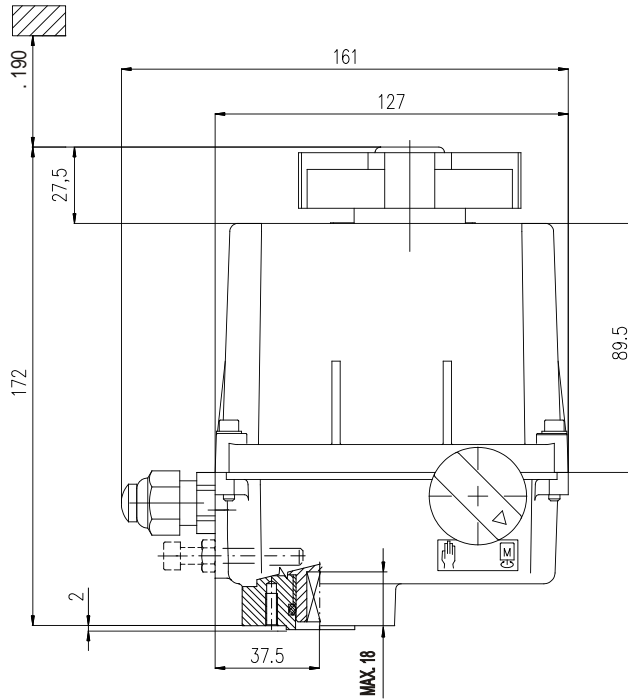
DMS3..... EPV

Un.....

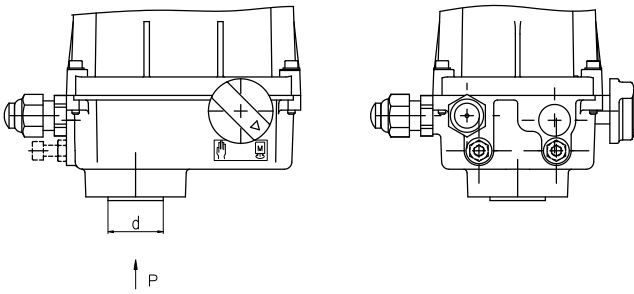
IN.....

OUT.....

SPR 0PA

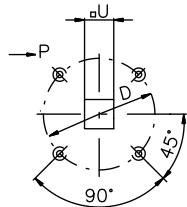
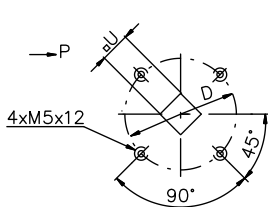


P - 2015



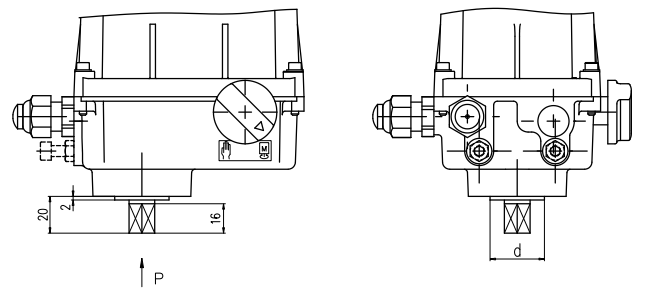
: A

: B



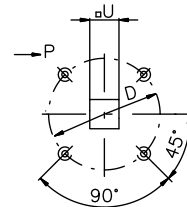
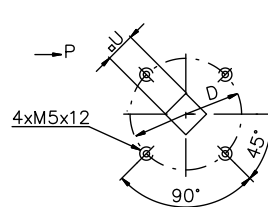
F 03	Ø36	Ø25	9
F 04	Ø42	Ø30	11
ISO 5211	D	d	U

P - 1172



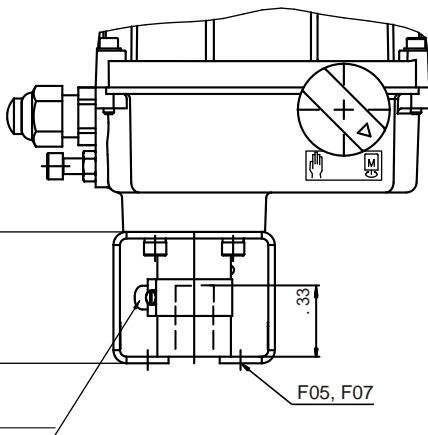
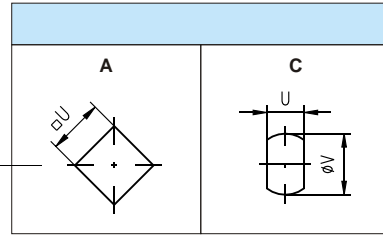
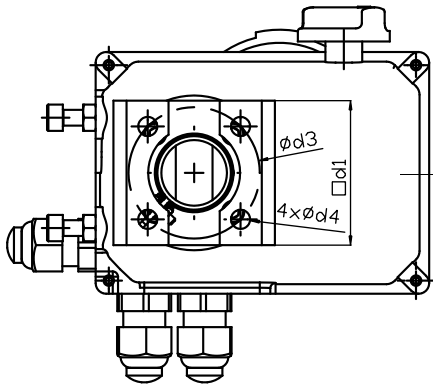
: A

: B



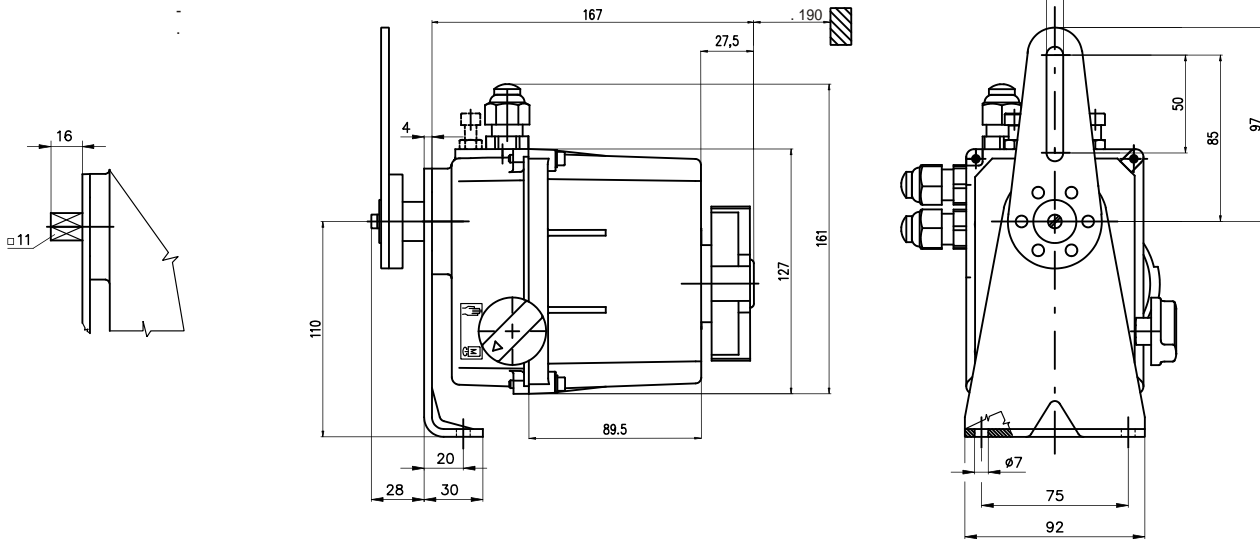
F 03	Ø36	Ø25
F 04	Ø42	Ø30
ISO 5211	D	d

P - 1173

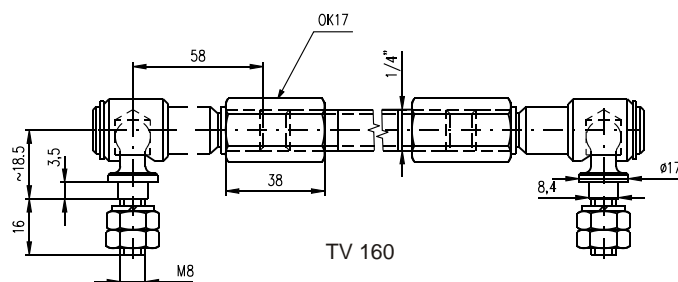


P-1451/G	F07	-	-	-	-	-	V-12
P-1451/F	F07	14	-	70	70	9	D
P-1451/E	F07	14	18				H
P-1451/D	F07	8	13	55	50	7	H
P-1451/C	F05	14	18				H
P-1451/B	F05	11	-				D
P-1451/A	F05	14	-	D			
		U	ϕV	d1	$\phi d3$	$\phi d4$	

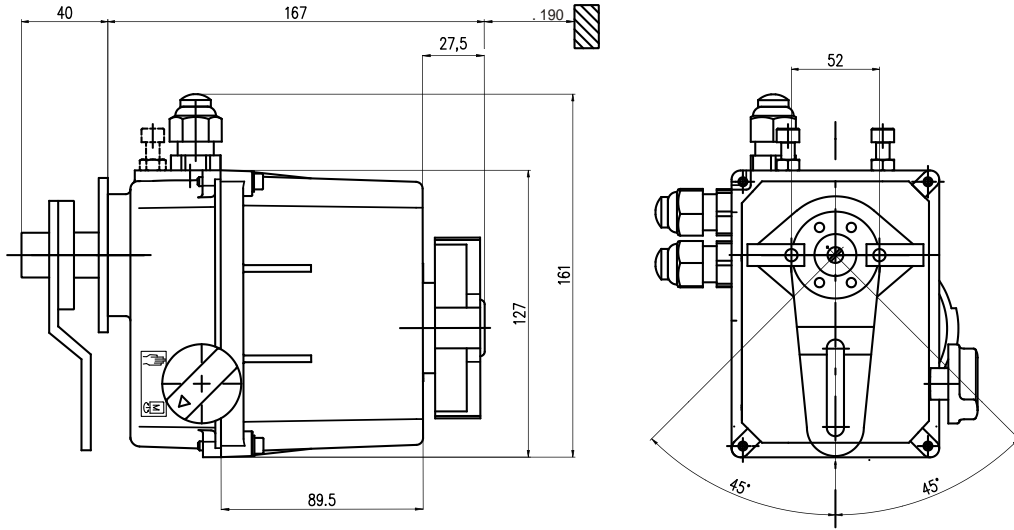
P - 1451



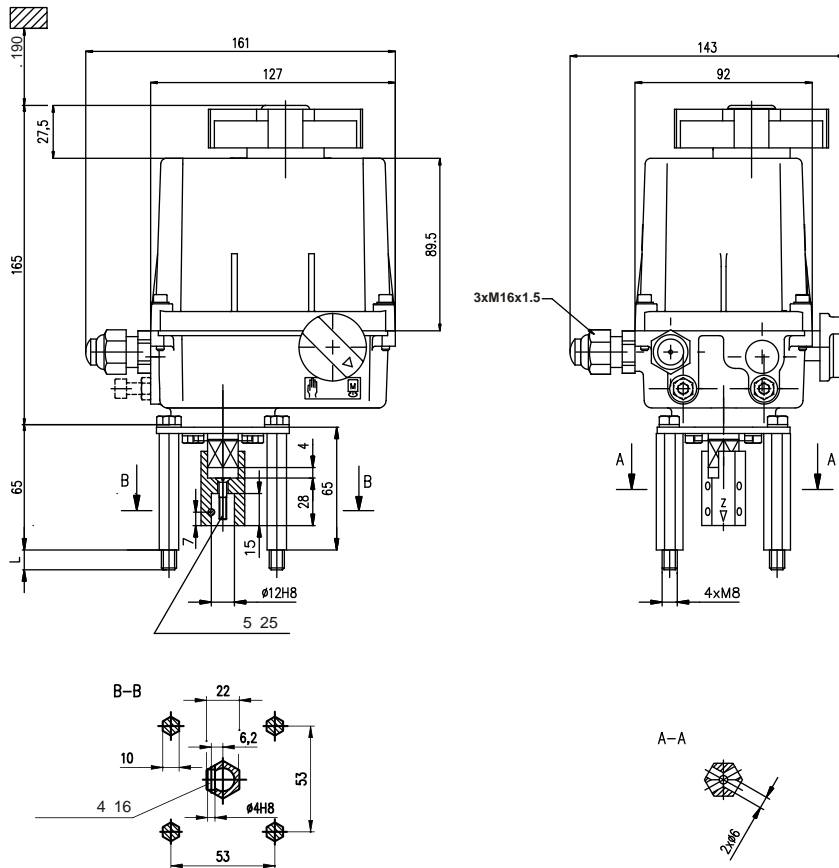
P - 1174



P - 0100



P - 1219



25	DN 20, 25, 32, 40
9	DN 50, 65, 80, 100, 125, 150
L	

P - 1221