

REMATIC, DMS3,
 24 V DC (2P)
 (3P)
 PROFIBUS DP V0/V1 MODBUS RTU.
 : LED (RS-232).
 a a
 « - ».



DMS3

- 220 V AC
- T
- a
- 60 % 100 %
- R1, R2 (18)¹⁾
- READY¹⁾
- - 0/4 - 20 mA, 4 - 12 mA, 12 - 20 mA 0/2 - 10 V¹⁾
- 24 V DC - , ,
- 24 V DC - , ,
- ESD ()
- - 4 - 20 mA a - (2P)¹⁾
- 24 V DC, 40
- LED
- (, ,)
- RS 232
- ISO 5210
- IP 67
- RE3, RE4, RE5¹⁾
- RE1, RE2, RE3, RE4, RE5, READY¹⁾
- PROFIBUS DP V0/V1,
- MODBUS RTU,

1) Profibus Modbus

SOR 2PA

067. x - x x x x x / x x

/		o e	10)		↓
3.1		-25°C ... +55°C	C3	IP 67	1
		-25°C ... +55°C	C3	IP 68 ¹¹⁾	5
B2	+	-25°C ... +55°C	C4	IP 67	2
2		-50°C ... +40°C	C3	IP 67	3
2		-25°C ... +55°C	C3	IP 67	6
1	-	-50°C ... +40°C	C4	IP 67	7
2		-60°C ... +40°C	C3	IP 67	8

		23)		↓	
		50 Hz	230 V AC	Z514, Z515, Z523, Z574, Z574c	0
			220 V AC		L
c		50 Hz	3x400 V AC	Z532b, Z536b, Z537b Z574a, Z574d	2
			3x380 V AC		N
			3x400 V AC	Z532f, Z536f, Z537f	E
			3x380 V AC		F

31)	32)		33)	35)	50 Hz			60 Hz	DC	↓
	« - »				230 V 220 V	3x400 V 3x380 V	240 V 120 V	24 V		
20 Nm	17 Nm	10 Nm	40 min ⁻¹	●				A		
			20 min ⁻¹	●			5			
			12.5 min ⁻¹	●			6			
			10 min ⁻¹	●			7			
40 Nm	34 Nm	20 Nm	20 min ⁻¹	●			B			
			12.5 min ⁻¹	●			8			
			10 min ⁻¹	●			9			
60 Nm	50 Nm	30 Nm	12.5 min ⁻¹	●			C			
			10 min ⁻¹	●			Z			
		-	20 min ⁻¹	●			E			
80 Nm	68 Nm	40 Nm	10 min ⁻¹	●			D			
			-	12.5 min ⁻¹	●		K			
100 Nm	85 Nm	-	10 min ⁻¹	●			F			
12 Nm	10 Nm	6 Nm	40 min ⁻¹	●		●	A			
			20 min ⁻¹	●		●	5			
			12.5 min ⁻¹	●		●	6			
			10 min ⁻¹	●		●	7			
25 Nm	21 Nm	12 Nm	20 min ⁻¹	●		●	B			
			12.5 min ⁻¹	●		●	8			
			10 min ⁻¹	●		●	9			
40 Nm	34 Nm	20 Nm	12.5 min ⁻¹	●		●	C			
			10 min ⁻¹	●		●	Z			
			20 min ⁻¹	●		●	L			
45 Nm	38 Nm	-	20 min ⁻¹	●		●	H			
50 Nm	42 Nm	25 Nm	10 min ⁻¹	●		●	D			
60 Nm	50 Nm	30 Nm	12.5 min ⁻¹	●		●	M			
72 Nm	61 Nm	-	12.5 min ⁻¹	●		●	J			
80 Nm	68 Nm	40 Nm	10 min ⁻¹	●		●	N			
90 Nm	76 Nm	-	10 min ⁻¹	●		●	G			

49)			↓
20	1 - 500	H	

SOR 2PA

067. x - x x x x x x / x x

	2P	24 V DC				Z515, Z537b, Z537f	F
DMS3	3P/2P		0/4 - 20 mA	24 V DC	4 - 20 mA	Z514, Z532b, Z532f	G
			0/2 - 10 V			Z523, Z536b, Z536f	H
DMS3 M1	1/2P	MODBUS RTU		24 V DC		Z574c, Z574d	M
DMS3 M2						Z574, Z574a	N
DMS3 P1		PROFIBUS DP V0 / V1				Z574c, Z574d	P
DMS3 P2						Z574, Z574a	R

ISO 5210	F07	B3	Ø16	P-1377	A
		B4	Ø25		B
	F10	B3	Ø20	P-1378/A	C
		B1	Ø42	P-2030a	Y
	F07/F10 (GO) ⁶¹⁾⁶⁵⁾	A	Ø10 ⁶⁶⁾	ISO 5210, F10-A P-1380/A ISO 5210, F07-A P-1380/B P-1380/C ^{GO}	D
			Tr20x4 LH		E
			Tr24x4 LH		F
			Tr24x5 LH		G
			Tr25x5 LH		H
	F10	C	14/Ø28/Ø42	P-1378/A	M
G0	E	Ø20	P-1378/B	K	
	C	14/Ø28/Ø42		L	
	F07	-	Ø20	P-1379	N
		-	Ø30		P
	F10	-	Ø20		Q
-		Ø30	R		
55510	64x30/4xM6	11x11	P-1420	S	
		35°/37°; Ø32/Ø25	P-1453 ⁶⁷⁾	T	
	Ø104/4xØ15	19x19	P-1454	U	
		35°/37° Ø46/Ø32	P-1452/A ⁶⁸⁾ P-1452/B ⁶⁹⁾	V W	

	20				
A				0	1
B				0	3
D	RE3, RE4, RE5 (DMS3 RE3) ⁷¹⁾		Z500a	0	5
E	RE1, RE2, RE3, RE4, RE5, READY (DMS3 RE6) ⁷¹⁾		Z500	0	6
F	LCD (P-2148. -40°C)		Z473a	0	7

: A+B=20, A+D=22, A+E=23, A+F=24, B+D=29, B+E=30, B+F=31, D+F=40, E+F=44, A+B+D=52, A+B+E=53, A+B+F=54, A+D+F=63, A+E+F=67, B+D+F=80, B+E+F=84, A+B+E+F=113, A+B+D+F=114

DB-9F/RJ45	224A80100
------------	-----------

10) ISO 9223 / EN ISO 12944-2.

11) IP 68 - 10 / 48

23) 60 100 %.

32) S2-10 min a S4-25% 90 /

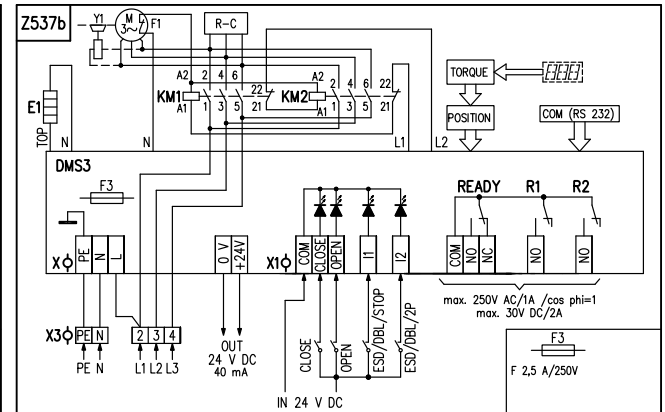
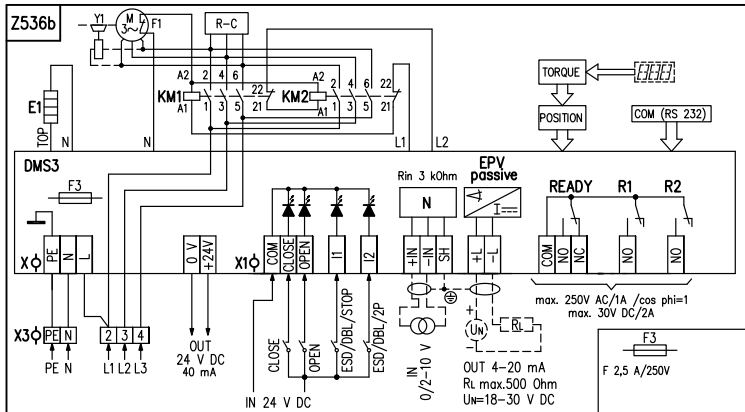
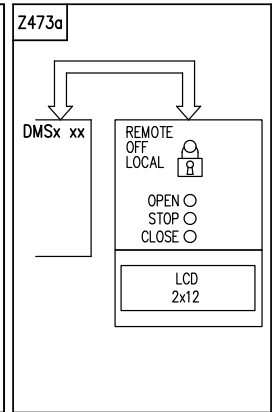
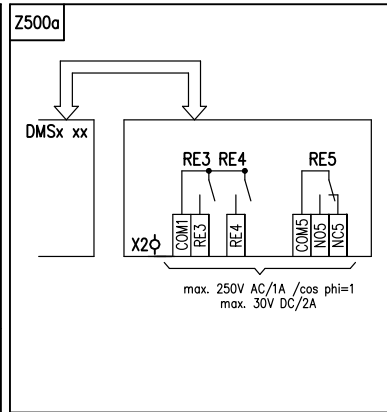
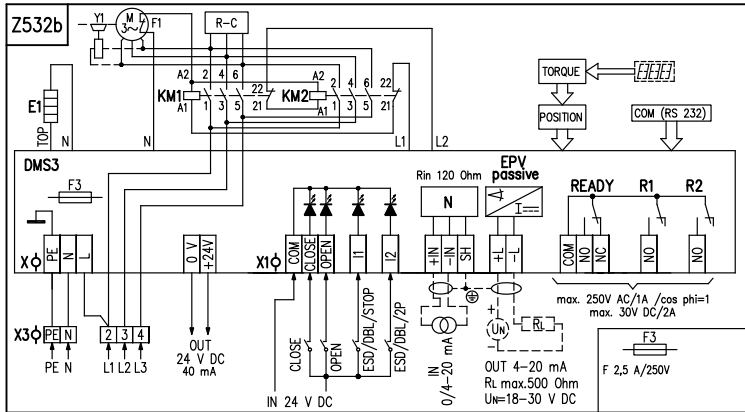
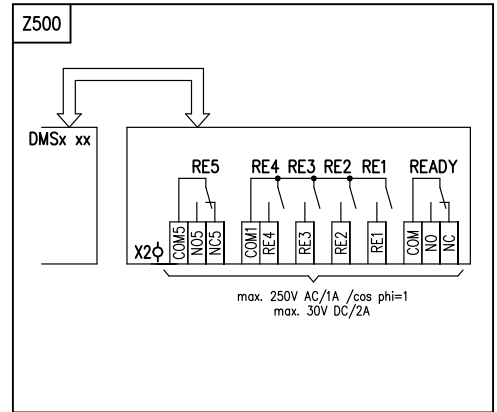
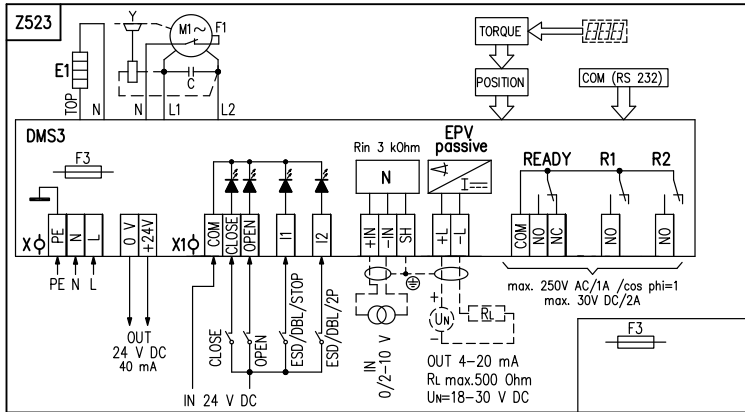
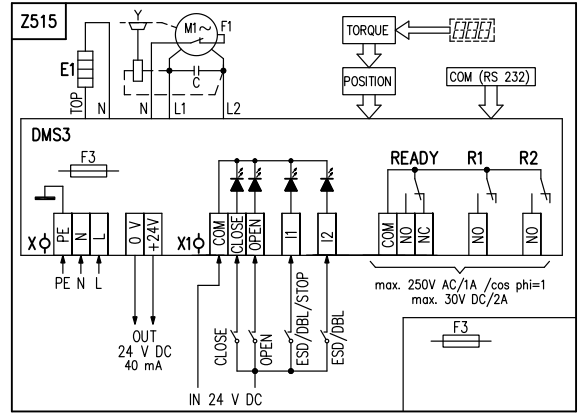
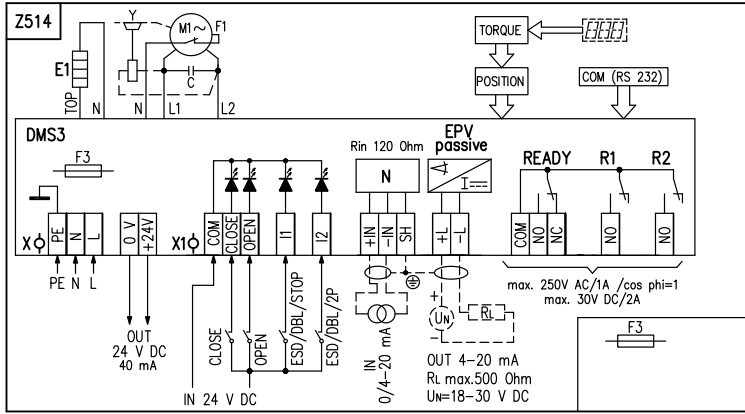
33) S4-25% , 90 - 1200 /

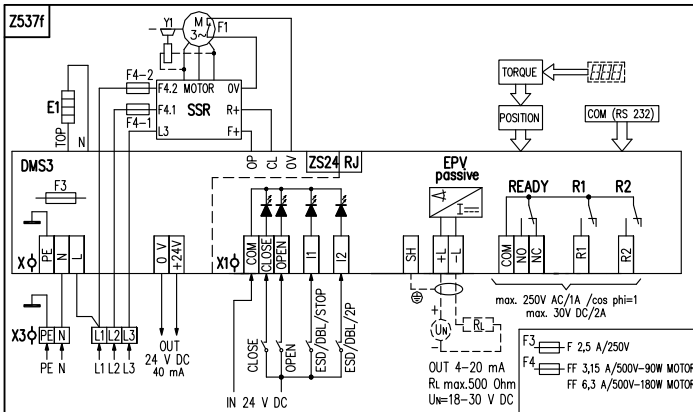
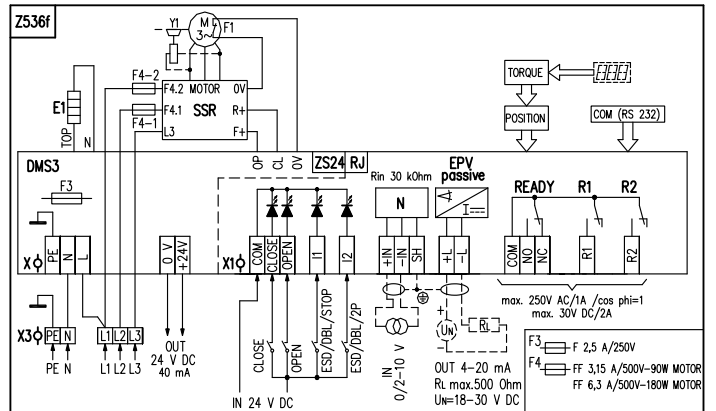
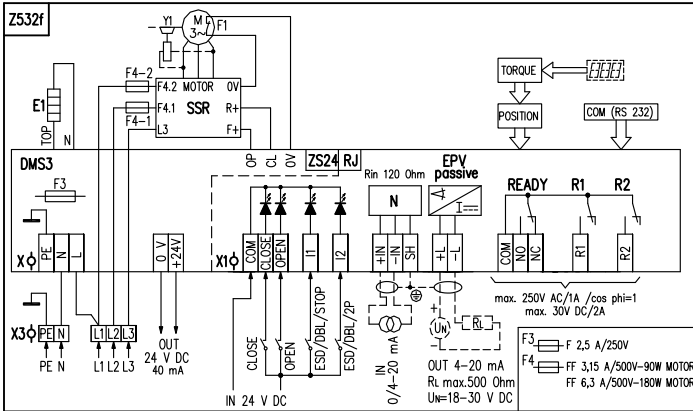
SOR 2PA

- 49) S2-10
- 61) F07-A . 40
- 65) Ø60
- 66)
- 67) 50
- 68) 100
- 69) 150
- 71) Ø26.

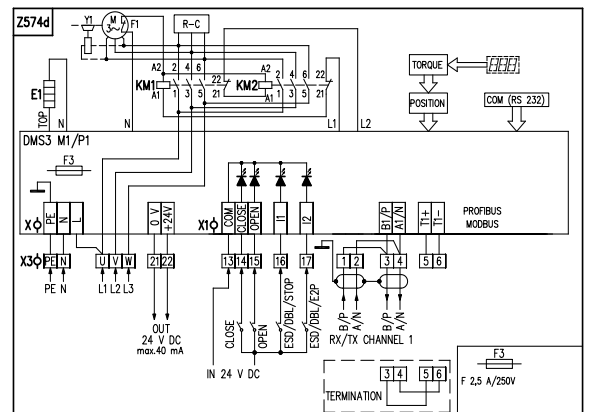
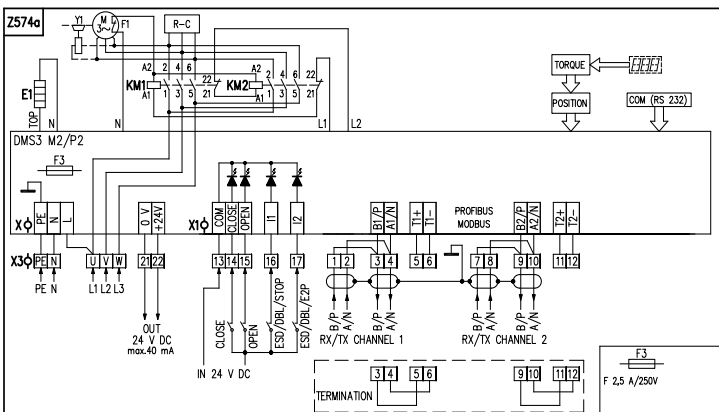
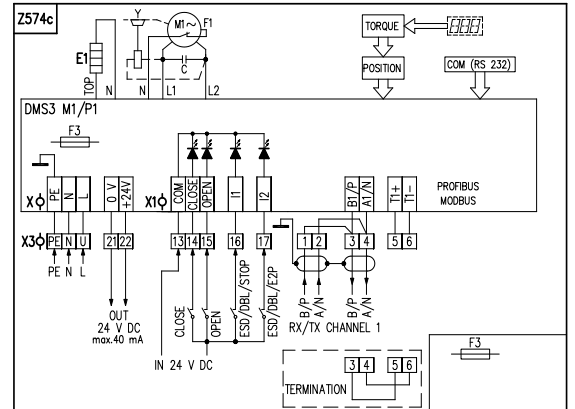
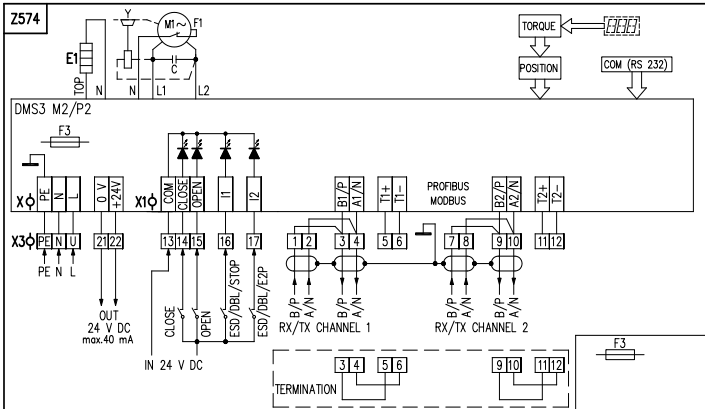
PROFIBUS MODBUS RTU.

SOR 2PA





PROFIBUS/ MODBUS



- 3 - 2 16 - 6-10,5 1 20 - 8-14,5

- 2 - 1 16 - 6-10,5 1 16 - 9-13

X -
 PE, N, L (0,05 - 1,5 mm²) 220/230 V AC, 50/60 Hz
 0 V, +24 V (1,5 mm²) 24 V DC (40 mA)
X1 -
 COM, CLOSE OPEN, I1, I2... (0,05 - 1 mm²) 24 V DC
 +IN, -IN, SH (0,05 - 1 mm²) 0/4-20 mA (0/2-10V)
 +L, -L, SH (0,05 - 1 mm²) () 4-20 mA
 COM, NO, NC (0,05 - 1,5 mm²) READY
 COM, NO (0,05 - 1,5 mm²) R1, R2
X2 -
 COM1,RE1,RE2,RE3,RE4 (0,05 - 1,5 mm²) RE1, RE2, RE3, RE4
 COM5, NO5, NC5 (0,05 - 1,5 mm²) RE5
 COM, NO, NC (0,05 - 1,5 mm²) READY

C
 COM(RS232) PC
 EPV passive (EPV)
 E1
 F1
 F2
 F3
 M1~ / M3~
 N
 R
 POSITION
 Rin
 R
 UN EPV
 R1, R2
 READY ()
 RE1 o RE5
 TORQUE
 DMS3

Z473a ...
 Z500 6-
 Z500a ... 3-
 Z514 a 0/4 - 20 mA c
 4 - 20 mA a
 Z515 a 24 V DC
 Z523 a 0/2 - 10 V c
 4-20 mA a
 Z532b ... a 0/4 - 20 mA c
 4-20 mA a , c
 Z532f a 0/4 - 20 mA c
 4-20 mA a , c
 Z536b ... a 0/2 - 10 V c
 4-20 mA a , c
 Z536f a 0/2 - 10 V c
 4-20 mA a , c
 Z537b ... a 24 V DC,
 Z537f a 24 V DC, c
 Z574 e MODBUS / PROFIBUS -
 Z574a e MODBUS / PROFIBUS -
 Z574c ... e MODBUS / PROFIBUS -
 Z574d ... e MODBUS / PROFIBUS -

R1, R2, RE1, RE2, RE3, RE4, RE5:

READY: o ; o ; o ; o

(EPV): 4 - 20 mA, 20 - 4 mA.

() : 2P, 3P, 3P/2P I2.

(N): : 4 - 20 mA, 20 - 4 mA, 0 - 20 mA, 20 - 0 mA, 4 - 12 mA, 12 - 4 mA, 12 - 20 mA, 20 - 12 mA;

: 2 - 10 V, 10 - 2 V, 0 - 10 V, 10 - 0 V

I1: ; ESD (Emergency shut down - I1

"); DBL (- ; !

I2: ; ESD (Emergency shut down - I2

"); DBL (;) ; 2P (

3P/2P I2 I2 24 V DC).

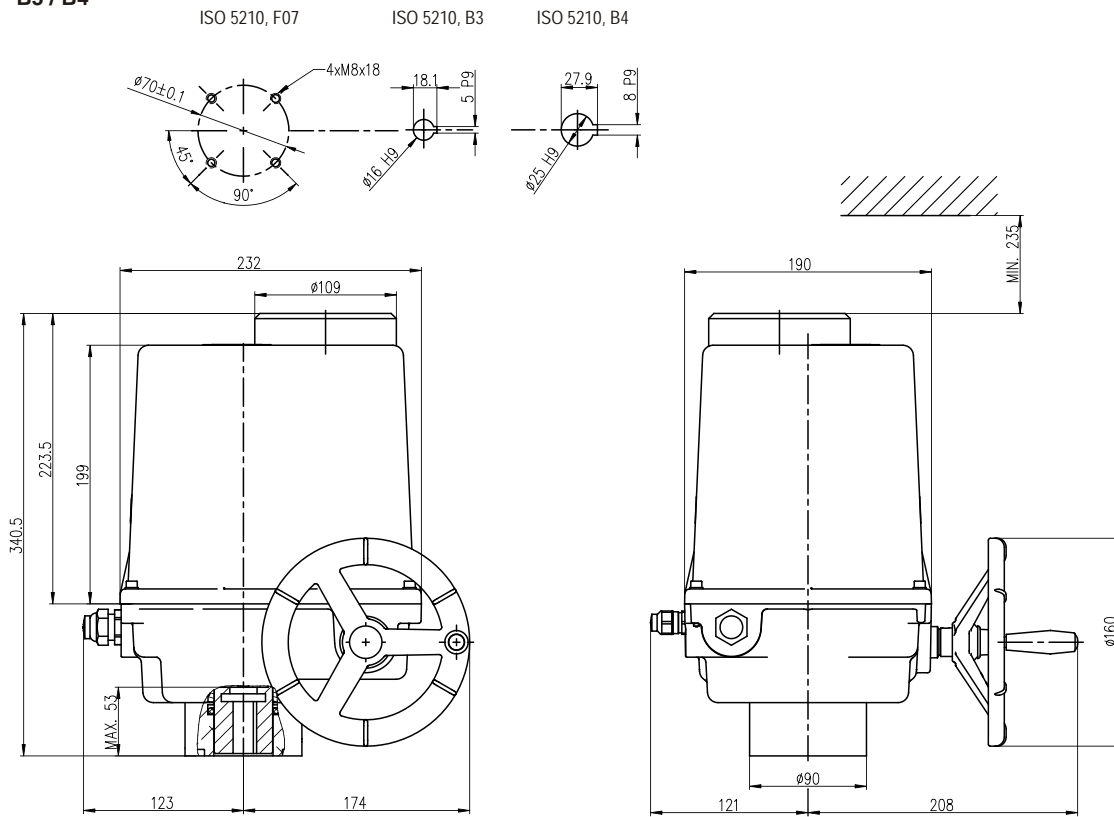
O : ; ; ;

I1, I2 _____ (: ESD I1,

ESD I2).

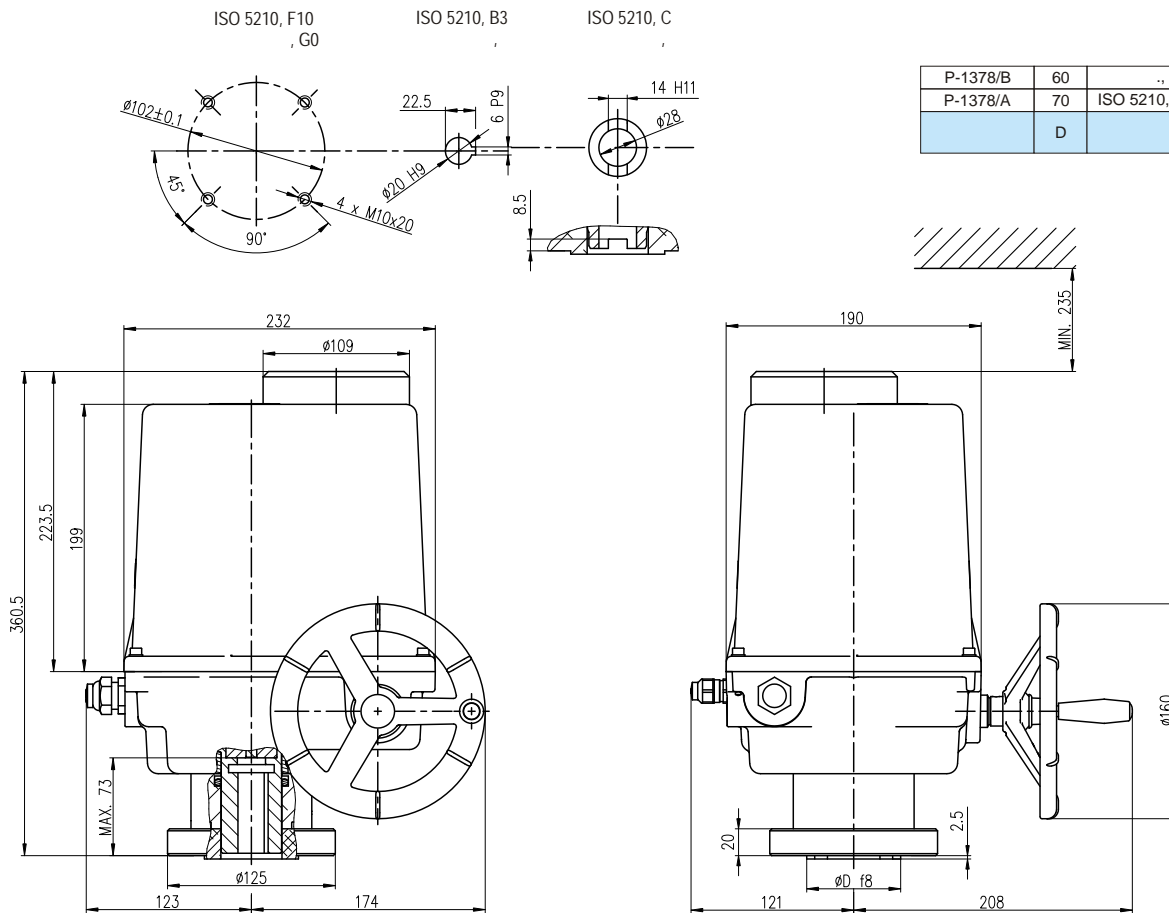
SOR 2PA

B3 / B4



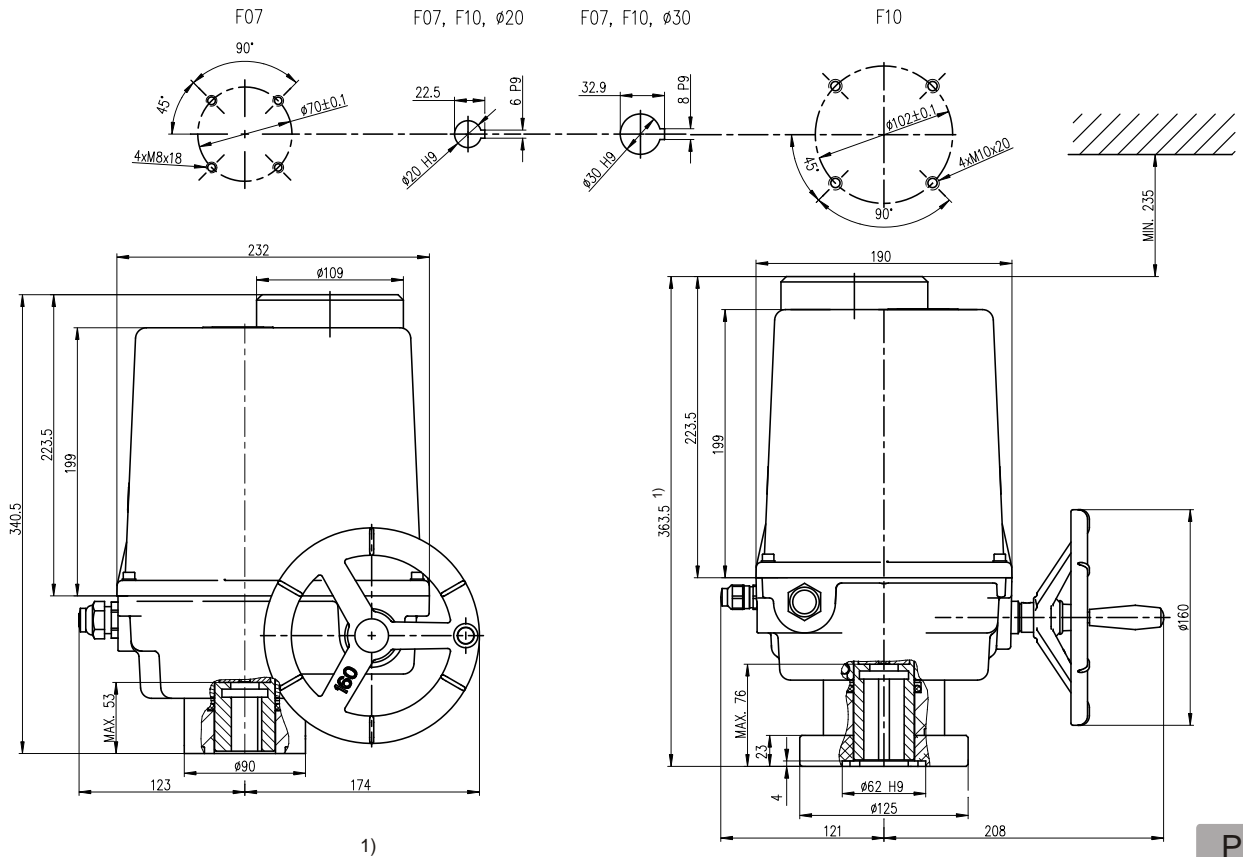
P-1377

B3 (E) / C

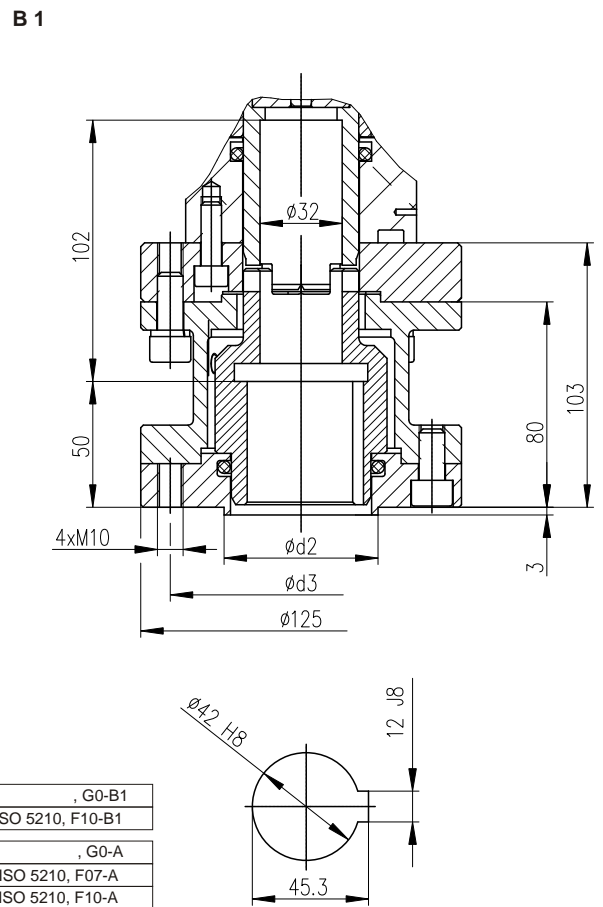
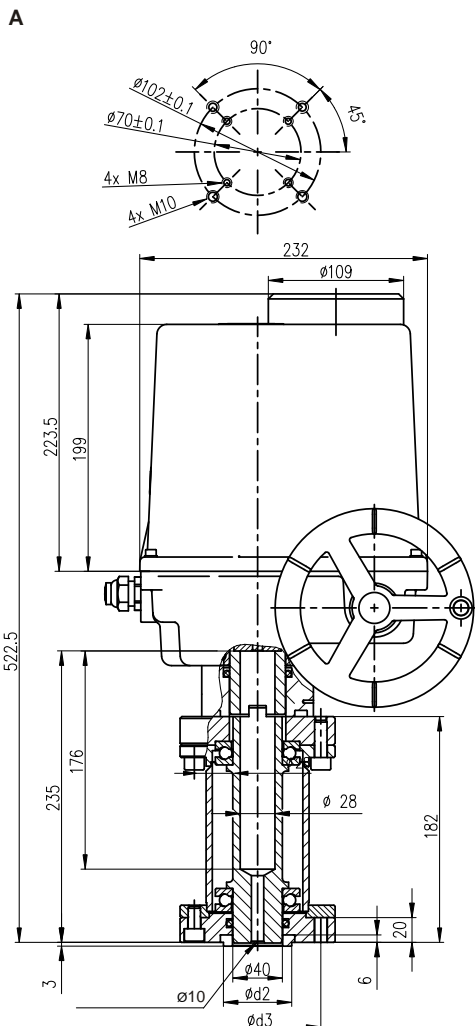


P-1378/B	60	.. E	.. C
P-1378/A	70	ISO 5210, F10-B3, F10-C	
	D		

P-1378



P-1379



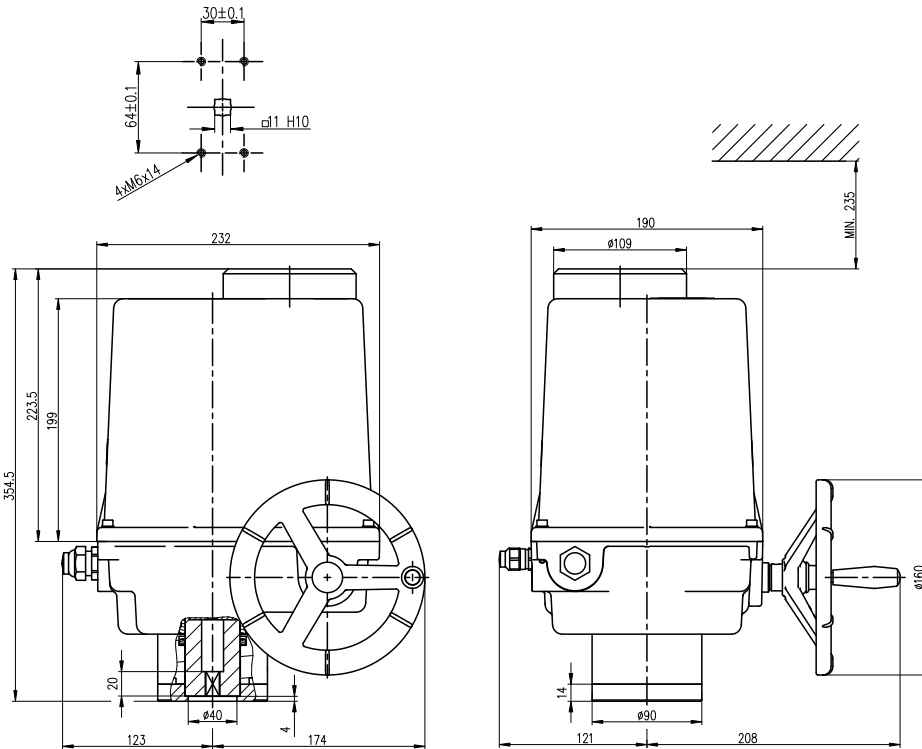
P-2030a/B	60	102	, G0-B1
P-2030a/A	70	102	ISO 5210, F10-B1
P-1380/C	60	102	, G0-A
P-1380/B	55	70	ISO 5210, F07-A
P-1380/A	70	102	ISO 5210, F10-A
	$\phi d2$	$\phi d3$	

P-1380

P-1377

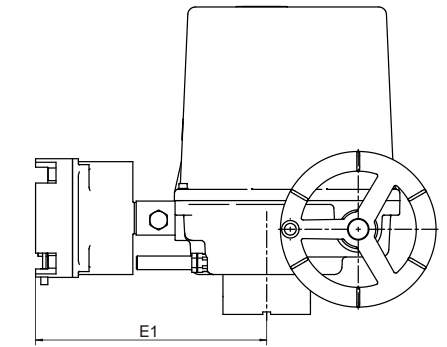
P-2030a

M



P-1420

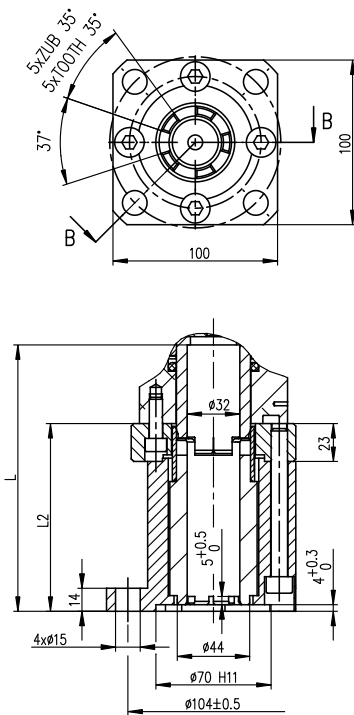
SOR 2PA



SOR 2PA	P-2148/J	-50 °C	198
	P-2148/I	-25 °C	168
		o	E1

P - 2148

AK

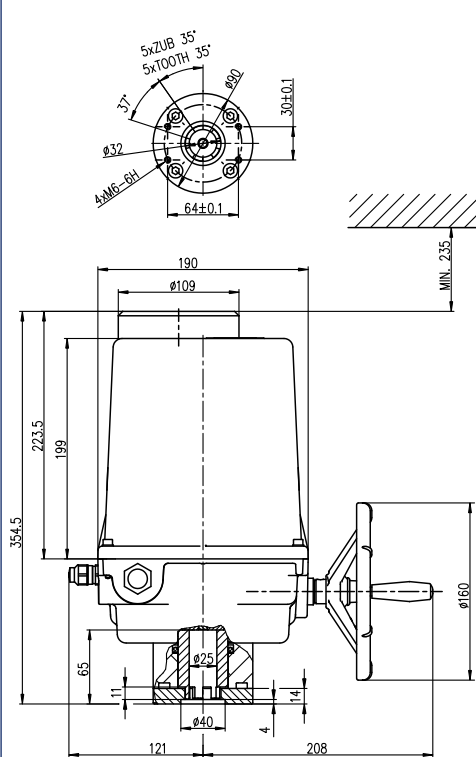


P-1377

P-1452/B	114	. 160
P-1452/A	64	. 110
	L2	L

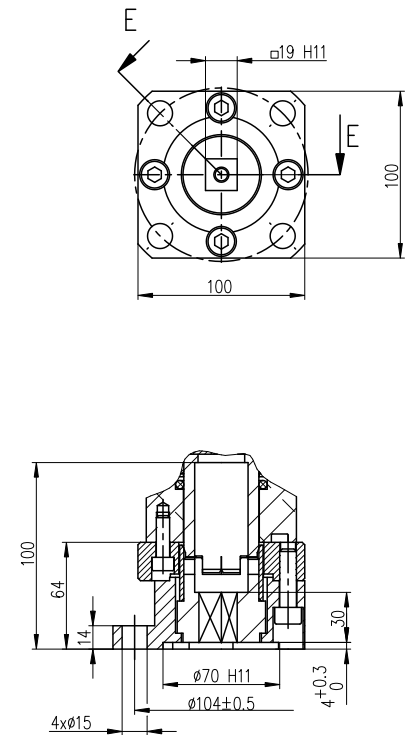
P-1452

MK



P-1453

A



P-1377

P-1454